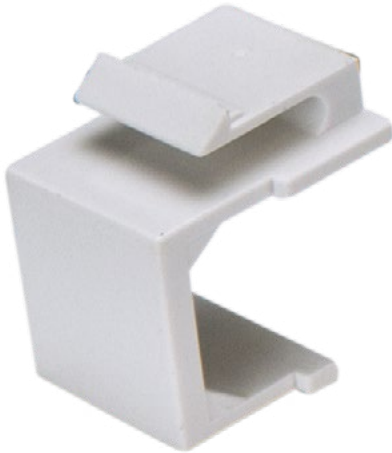




Blank Keystone Modular Insert - 10 Pack



Applications

These blank keystone modular inserts are used to occupy and cover any unused, open keystone ports.

Description / Specifications

Vericom blank keystone modular inserts are molded out of proprietary impact resistant plastic. These blank inserts provide a clean, finished appearance and guard against dust and unwanted contaminants. These blanks are designed to easily snap-in for quick installation and are sold in packages of 10.

Ordering Information

Description	
Blank Keystone Modular Insert, 10 Pack	
Item No.	Color
XFFTP-12479	Black
XFFTP-03609	Ivory
XFFTP-00504	White

Features & Benefits

- Fill, cover and protect unused keystone jack ports
- Provides a clean finished appearance
- Guards against dust and unwanted contaminants
- Modular snap-in/out design for temporary or long-term applications
- Pack of 10
- Available in Black, White or Ivory

Related Products

Pair Vericom's *XFFTP-12479*, *XFFTP-00504* and *XFFTP-03609* with the following items for wall mounting applications:

Single Gang Keystone Wall Plates
Available in: White or Ivory

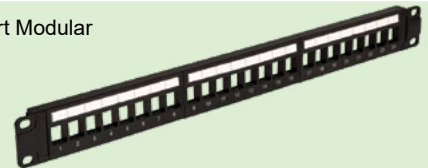
- *1 Port, White: Item No. XFPOP-00470
- 2 Port, White: Item No. XFPOP-00471
- 3 Port, White: Item No. XFPOP-00472
- 4 Port, White: Item No. XFPOP-03418
- 6 Port, White: Item No. XFPOP-03421

- 1 Port, Ivory: Item No. XFPOP-03588
- 2 Port, Ivory: Item No. XFPOP-03589
- 3 Port, Ivory: Item No. XFPOP-03590
- 4 Port, Ivory: Item No. XFPOP-03419
- 6 Port, Ivory: Item No. XFPOP-03422



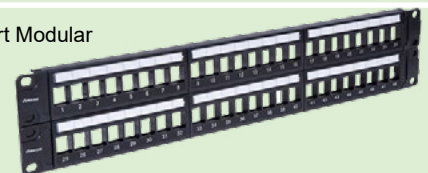
VGS™ Universal 24-Port Modular Patch Panel w/ Labels

Item No. UPP6001-24



VGS™ Universal 48-Port Modular Patch Panel w/ Labels

Item No. UPP6001-48

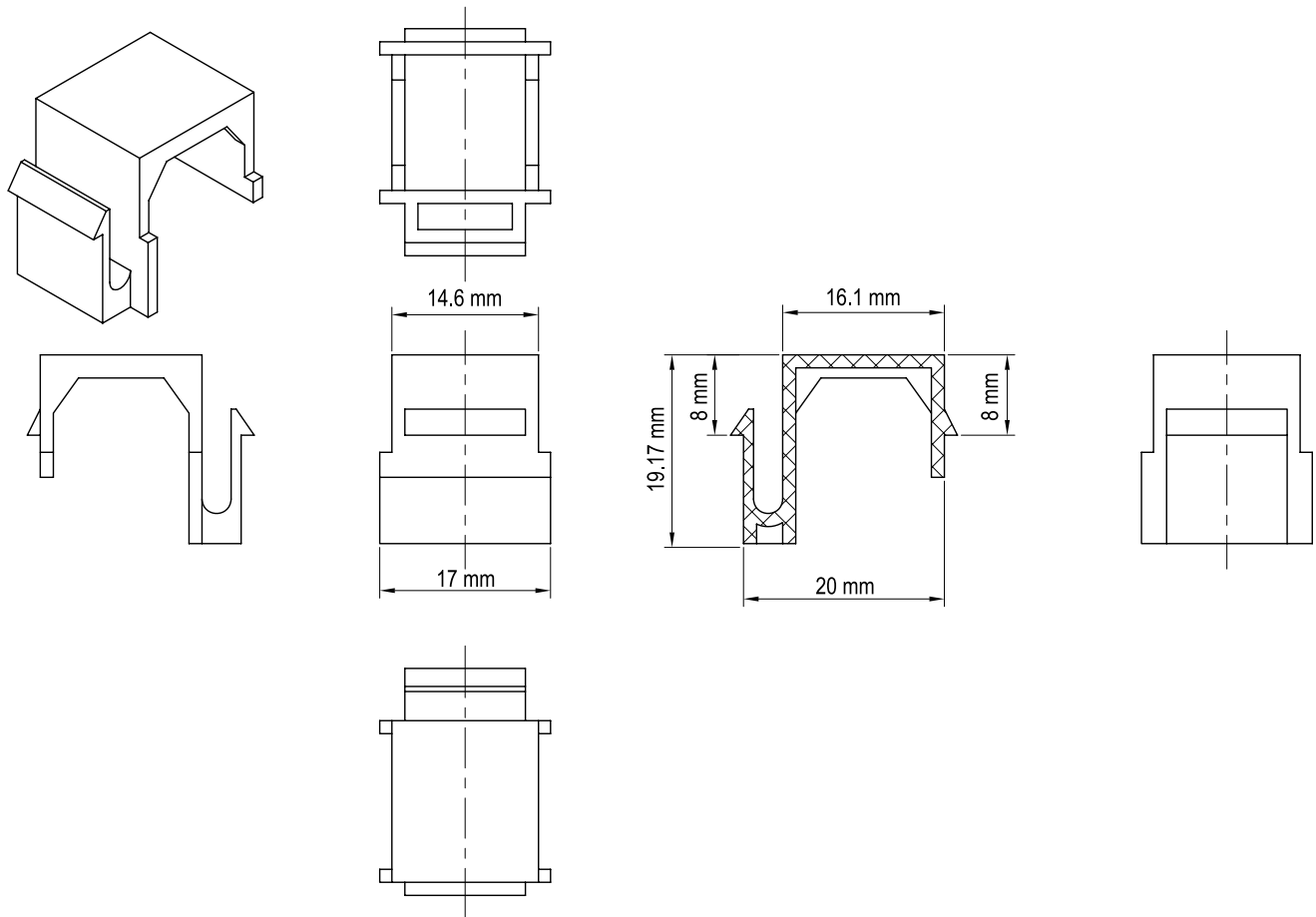


TECHNICAL SHEETS ARE SUBJECT TO CHANGE WITHOUT NOTICE.

* Pictured

REV.20230808.3

Technical Drawing



Physical Specifications

Dimensions	19.17*17*20 mm
Material	High Impact, Fire retardant ABS plastic rated UL94V-0
Mounting	Snap-In / Out
Color	Black, White or Ivory (<i>see ordering information</i>)