



## CAT6 Shielded RJ45 Keystone Jack



### Applications

The Vericom VGC™ Category 6 Shielded RJ45 Keystone Jacks support 1000BASE-T (Gigabit Ethernet), 100BASE-T (Fast Ethernet), 155 Mb/s ATM, 622 Mb/s ATM, 1.2 Gb/s ATM, Digital video and broadband/baseband analog video, Voice over Internet Protocol (VoIP) and are backwards compatible with Category 5e systems.

### Description / Specifications

The Vericom VGC™ Category 6 Shielded RJ45 Keystone Jacks are designed to meet and exceed ANSI/TIA-568 C Category 6 and ISO 11801 Class E electrical performance requirements for frequencies up to 250 MHz. Shielded to prevent electromagnetic interference (EMI), these keystone jacks protect from signal interference, are compatible with most manufacturers' faceplates, are easy to punch down, and clearly labeled for A/B wiring schemes.

To maximize system performance, combine with Vericom shielded patch panels, patch cords, and bulk cable.

*For quick and easy termination, pair with our VGC™ Deluxe 66/110 Type Punch Down Tool (Item No. WTPDT-03633).*



TECHNICAL SHEETS ARE SUBJECT TO CHANGE WITHOUT NOTICE.

### Features & Benefits

- Universal label shows T568A and T568B wiring for ease of use.
- 110 IDCs are technician friendly with a standard punchdown tool.
- Accepts 22-26 AWG Stranded and Solid Wire
- Retention cap secures terminations for long term reliability
- Compatible with most manufacturers' faceplates
- Shielded to prevent signal interference

### Standards Compliance

- RoHS Compliant
- ANSI TIA/EIA-568 C
- ISO/IEC 11801
- IEC 61156-5

### Related Products

VGC™ CAT6 Shielded 24 Port Punchdown Patch Panel

Item No. MPP6S-01364



VGC™ Universal Shielded 24 Port Modular Patch Panel

Item No. MPPKS-04042



Single Gang Keystone Wall Plates, White

- \*1 Port: Item No. XFPOP-00470
- 2 Port: Item No. XFPOP-00471
- 3 Port: Item No. XFPOP-00472
- 4 Port: Item No. XFPOP-03418
- 6 Port: Item No. XFPOP-03421



Single Gang Keystone Wall Plates with Labels  
Available in: White

- \*1 Port: Item No. FP2WH1VL
- 2 Port: Item No. FP2WH2VL
- 3 Port: Item No. FP2WH3VL
- 4 Port: Item No. FP2WH4VL
- 6 Port: Item No. FP2WH6VL



\* Pictured

REV.20230810.4



## CAT6 Shielded RJ45 Keystone Jack

### Ordering Information

Description	Item Number
CAT6 Shielded RJ45 Keystone Jack	MKJ6S-04496

### Construction

**Housing & Cap:** Polycarbonate (PC)

**Contacts:** Phosphor bronze alloy plated with gold over nickel plating

**IDC:** 110 type, phosphor bronze alloy with tin plating

**Shield:** Bronze with Nickel plating

### Mechanical

**Plug Retention:** 75 N (17 lbf)

**Mating Life Cycle:** Min 750 cycles

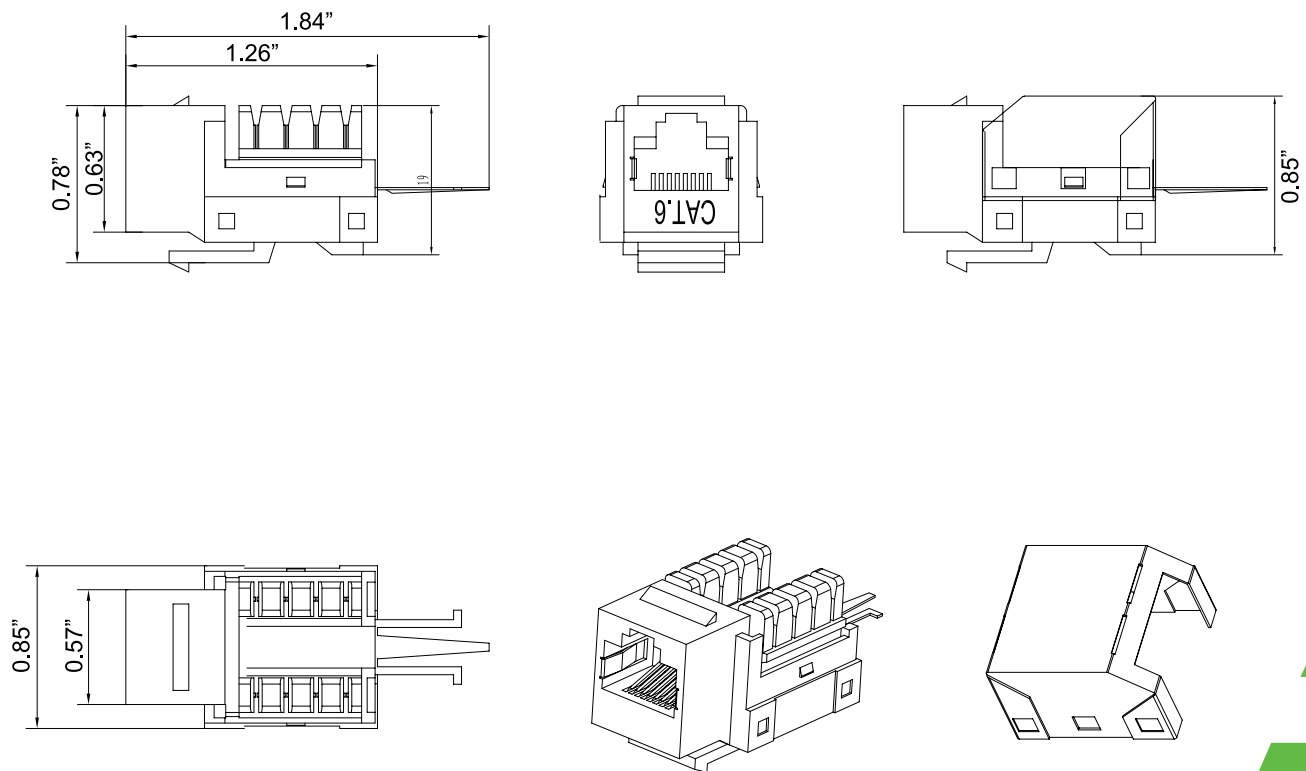
**Wire Compatibility:** 22 to 26 AWG (0.644 to 0.405 mm)

### Environmental Conditions

**Operating Temperature:** -4 °F to 154 °F (-20 °C to 68 °C)

**Storage Temperature:** -4 °F to 154 °F (-20 °C to 68 °C)

### Technical Illustration



TECHNICAL SHEETS ARE SUBJECT TO CHANGE WITHOUT NOTICE.

REV.20230810.4