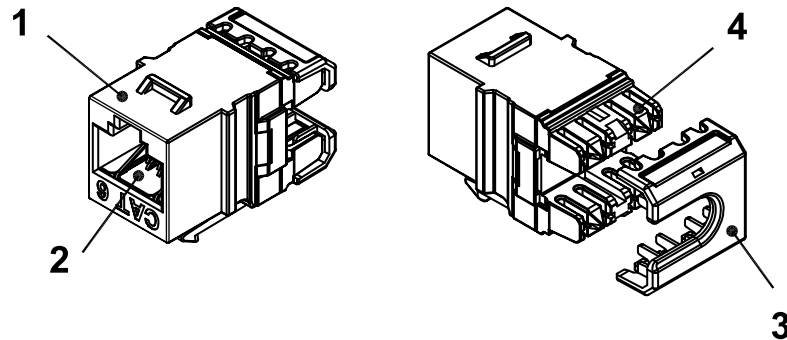
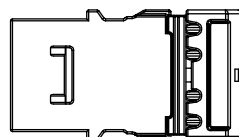
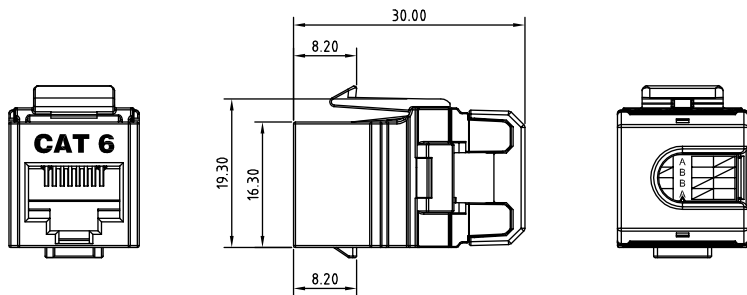
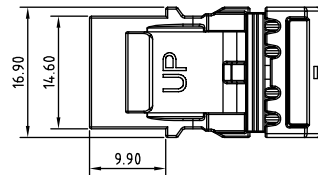


### ISOMETRIC VIEW



### ASSEMBLY DIMENSION



### TRANSMISSION PERFORMANCE

Meet all requirements specified in connecting hardware requirement of:  
TIA/EIA-568.2-D Category 6

### ELECTRICAL

Electrical Insulation Resistance : 500 MΩ min. @ 100V d.c

Dielectric Withstanding Voltage : 1000V d.c. or a.c. Peak Contact to Contact @ 60 Hz for 1 minute

### MECHANICAL

Insertion / Extraction Life : 750 Cycles Minimum  
IDC Wire Gauge : 22 ~ 24 AWG

### PHYSICAL

Housing : High Impact, Flame-Retardant Plastic, UL94V-0

Spring Wire : Phosphor Bronze Alloy Plated With 50 micro-inch of gold

IDC : Phosphor Bronze Alloy With 100 micro-inch 100% Sn Alloy

UNLESS OTHERWISE SPECIFIED: TOLERANCES			4	IDC MODULE	1
INCH	MM	ANGULAR	3	WIRE CAP	1
.x ± .016	.x ± 0.2	x ± 1°	2 <th>INSERT MODULE</th> <th>1</th>	INSERT MODULE	1
.xx ± .006	.xx ± 0.1	.x ± 0.5°	1 <th>JACK HOUSING</th> <th>1</th>	JACK HOUSING	1
.xxx ± .004			No.	COMPONENT DESCRIPTION	Quantity

APPROVED					
CHECKED					
DRAWING		TITLE	CATEGORY 6 KEYSTONE JACK		
DATE	06/14/20	ITEM NO.	MPG6018xx		UNIT: mm

CHECKED