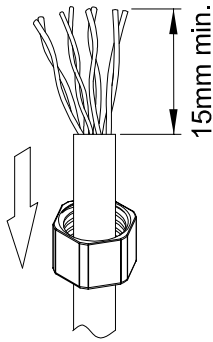


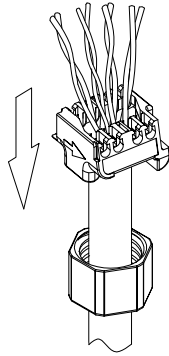
### INSTALLATION INSTRUCTIONS

#### STEP 1:



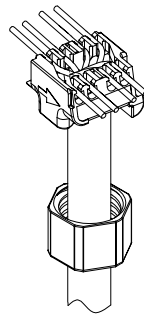
Put cable through the Nut.  
(OD: 4~6mm; 23~26 AWG)  
Strip the cable for minimum 15mm.

#### STEP 2:



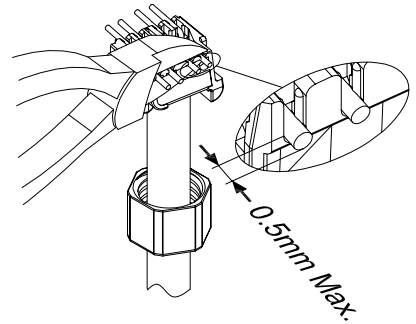
Insert the wires into the cap through the holes.

#### STEP 3:



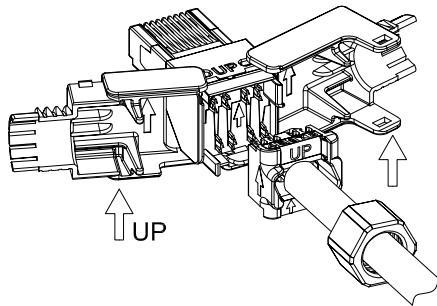
Lay the wires to the correct positions based on the color code.  
(T568A/T568B)

#### STEP 4:



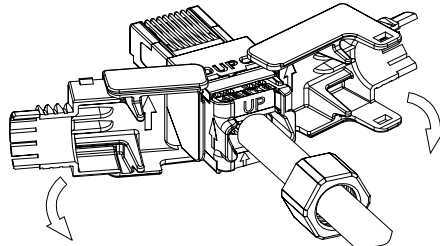
Cut the excess wires off. The tips of the wires should protrude no more than 0.5mm.

#### STEP 5:



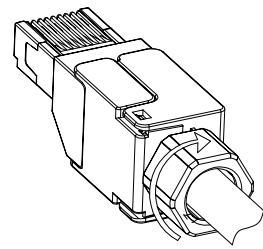
Put the cap on the IDC tower. The arrows on the jack and the cap should face the same direction. Put the cap into position.

#### STEP 6:



Close the jaws until hearing the click.

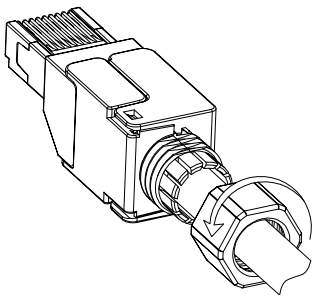
#### STEP 7:



Screw down the nut

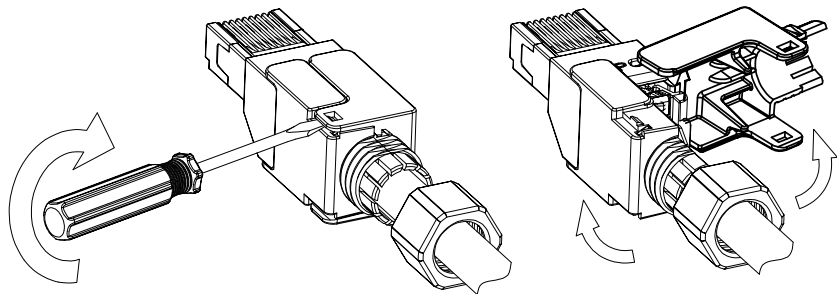
### DISASSEMBLY INSTRUCTIONS

#### STEP 1:



Unscrew the nut.

#### STEP 2:



Insert the slotted screwdriver into the slot and rotate to open the jaws