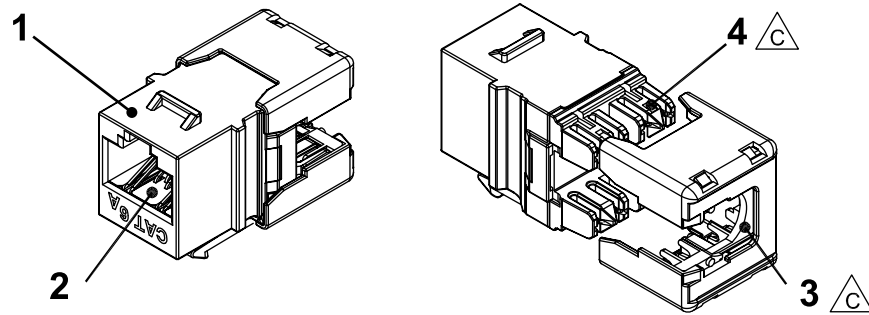
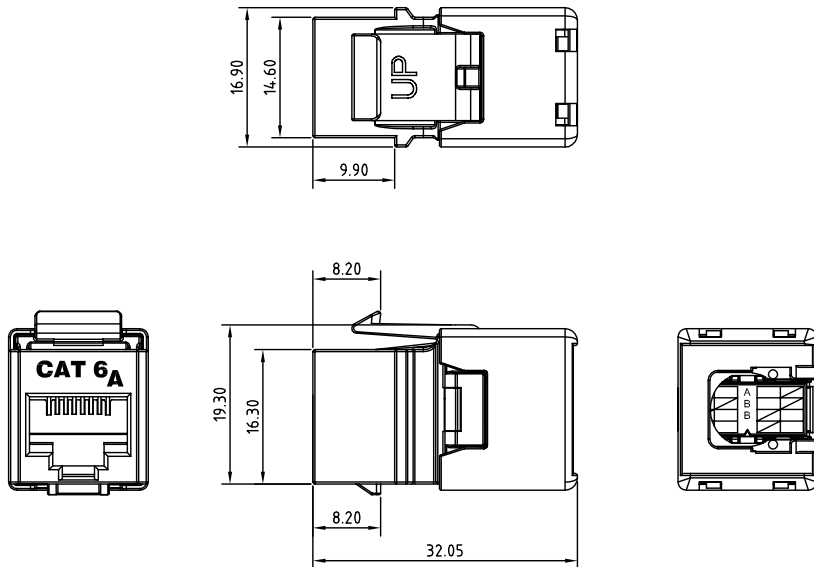


ISOMETRIC VIEW



ASSEMBLY DIMENSION



TRANSMISSION PERFORMANCE

Meet all requirements specified in connecting hardware requirement of:
 ISO/IEC 11801-1, Category 6A
 IEC 60603-7-41
 TIA/EIA-568.2-D, Category 6A



ELECTRICAL

Electrical Insulation Resistance : 500 MΩ min. @ 100V d.c
 Dielectric Withstanding Voltage : 1000V d.c. or a.c. Peak Contact to Contact @ 60 Hz for 1 minute

MECHANICAL

Insertion / Extraction Life : 750 Cycles Minimum
 IDC Wire Gauge : 22 ~ 24 AWG

PHYSICAL

Housing : High Impact, Flame-Retardant Plastic, UL94V-0
 Spring Wire : Phosphor Bronze Alloy Plated With 50 micro-inch of gold
 IDC : Phosphor Bronze Alloy With 100 micro-inch 100% Sn Alloy

UNLESS OTHERWISE SPECIFIED: TOLERANCES			No.	COMPONENT DESCRIPTION	Quantity
INCH	MM	ANGULAR	4	IDC MODULE	1
.x ± .016	.x ± 0.2	x ± 1°	3	WIRE CAP	1
.xx ± .006	.xx ± 0.1	.x ± 0.5°	2	INSERT MODULE	1
.xxx ± .004			1	JACK HOUSING	1

APPROVED		 CATEGORY 6A KEYSTONE JACK (ISO) MPG6618xx			
CHECKED					
DRAWING					
DATE	09/23/20				
	CHECKED	ITEM NO.		UNIT: mm	