



Air Dam Kit w/ Brush Pass-Through Holes



Description

Vericom Air Dams provide a cabinet-level containment solution to improve the efficiency of your cooling system. Our air dams are constructed of cold rolled steel panels that prevent hot air from re-circulating to the front of the cabinet. Each panel provides front-to-back cable routing via a removable brush opening, which can be replaced with a 1U patch panel for additional connectivity.

Product Specifications

Product Type: Air Dam Kit

Base Material: Steel

Top Panel: Expandable

Rack Unit Quantity: See Chart Below

Cable Pass-Through Openings: Yes

Mounting Hardware: Included

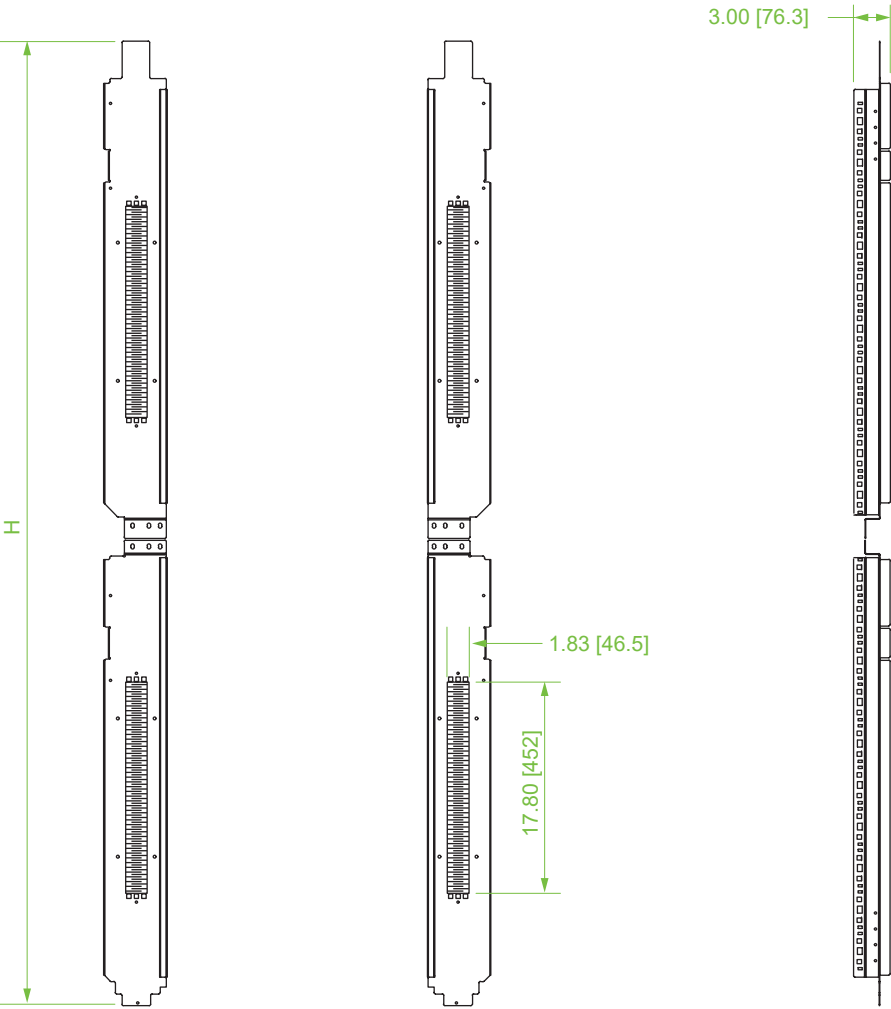
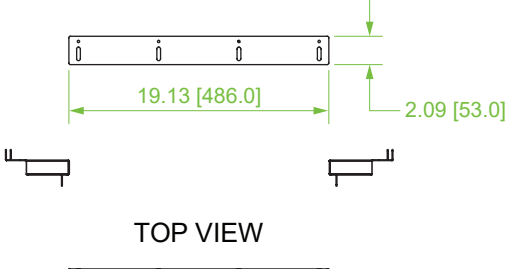
Compatibility: 31.5" Width Network Cabinets

Quantity Per Package: 1 (Sold Individually)

Item #	Rack Units
RAAD842	42U
RAAD845	45U
RAAD848	48U
RAAD852	52U



Air Dam Kit w/ Brush Pass-Through Holes



FRONT VIEW

SIDE VIEW

TECHNICAL SHEETS ARE SUBJECT TO CHANGE WITHOUT NOTICE.

REV.20210511.1