



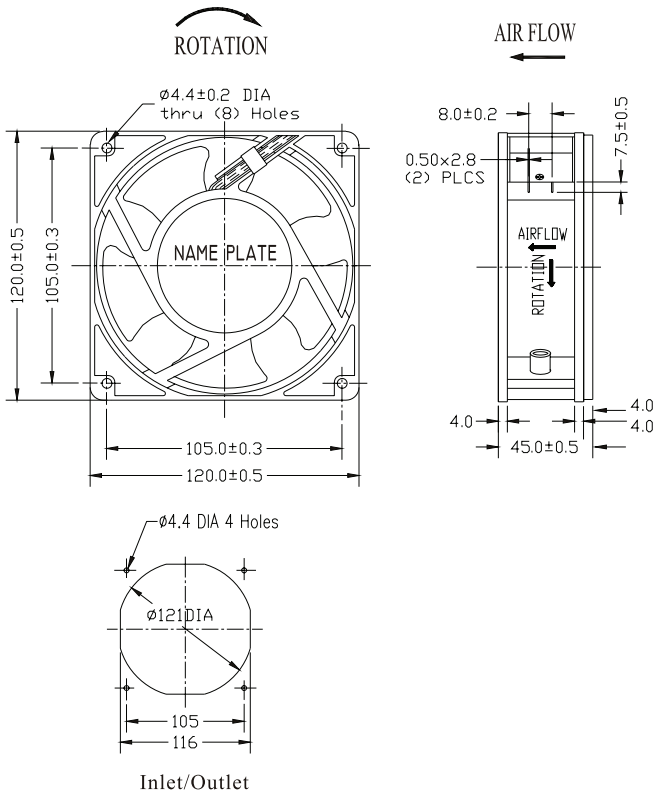
Single Fan, 75 CFM



Description

This prewired fan provides an airflow boost when additional cooling is needed inside a Vericom Fixed or Double Hinge Wall Mount Cabinet. Installation is easy using the included screws and a Phillips screwdriver - no drilling required.

Technical Drawing



Product Specifications

- Product Type:** Electric Fan
- Impeller Material:** PBT Reinforced Plastic
- Terminals:** 0.02"
- Dimensions (HxWxD):** 4.72" x 4.72" x 1.77"
- Motor:** Shaded Pole Induction Motor
- Bearing System:** Sleeve
- Cord Length:** 6 ft
- Operating Temperature:** -10°C ~ 70°C
- Voltage:** 100 ~ 125 VAC
- Frequency:** 50 / 60 Hz
- Current:** 0.24 Amps
- Power:** 10 / 9 Watts
- Speed:** 2100 / 2400 RPM
- Noise:** 35 / 40 dBA
- Airflow:** 75 CFM
- Static Pressure:** 3.1 / 4.1 (mmH₂O)
- Weight:** 540g
- Compliance & Standards:** CE & RoHS Compliant
- Quantity Per Package:** 1 (Sold Individually)

Ordering Information

Item #	Description
RAFNS01	Single Fan, 75 CFM