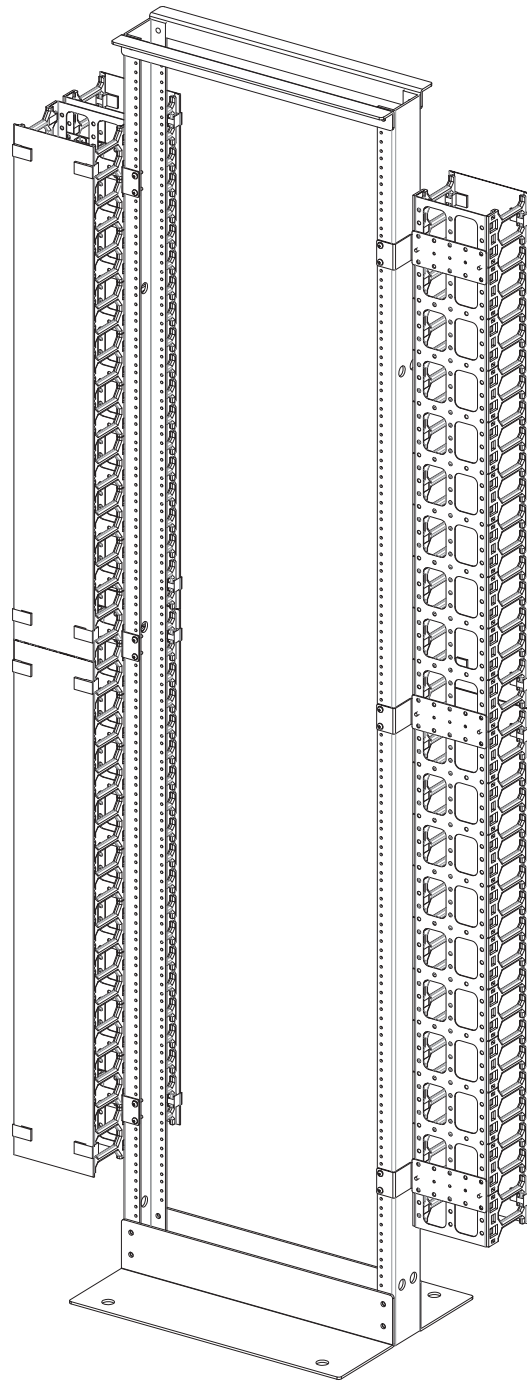
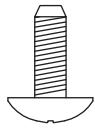


## ASSEMBLY INSTRUCTIONS



## VERTICAL FINGER DUCT CABLE MANAGER TO A 2-POST RACK

## Supplied Hardware

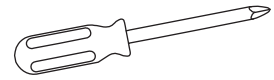


M5 x 10mm Screw



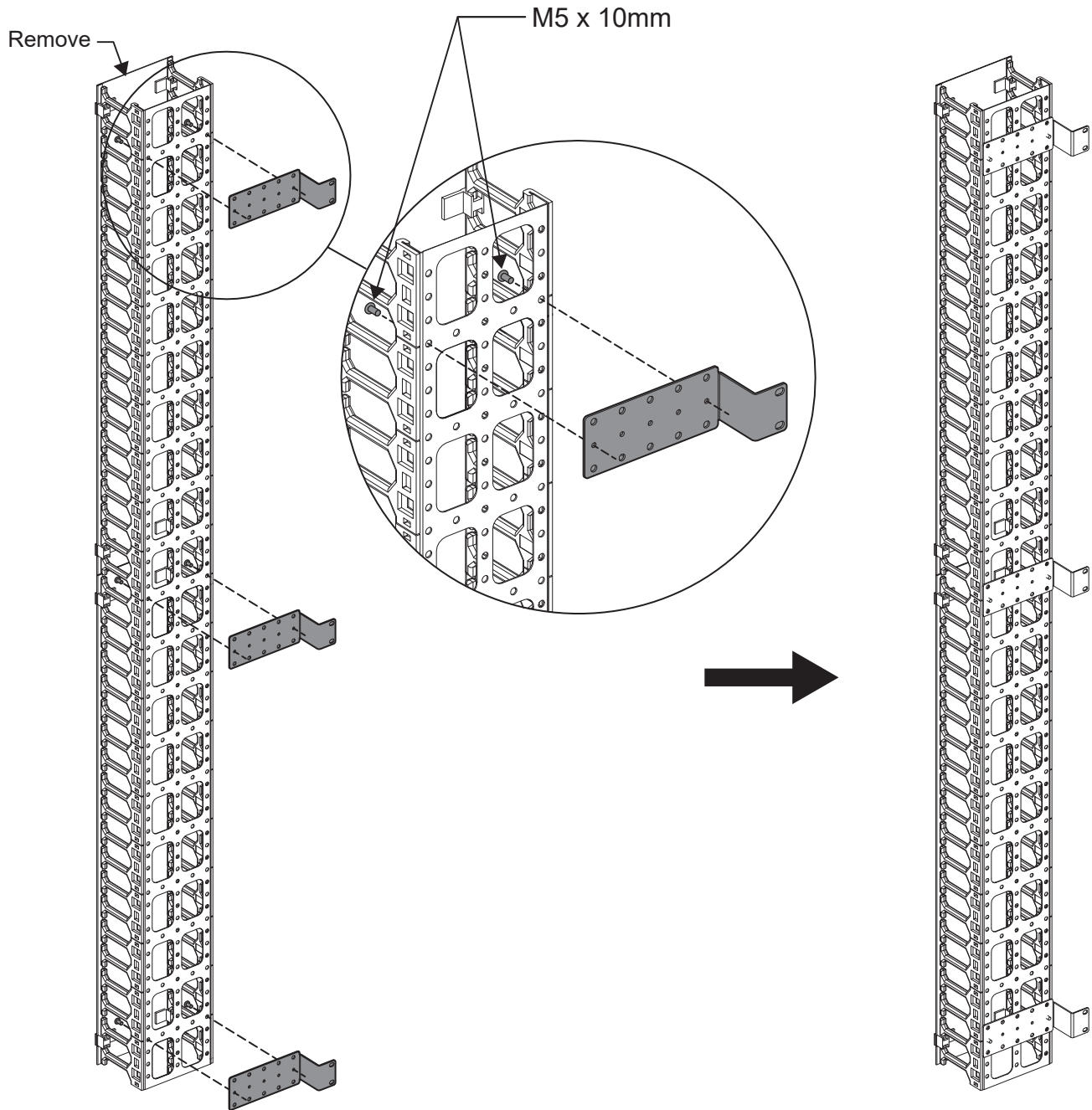
10-32 x 18mm Screw

## Required for Installation



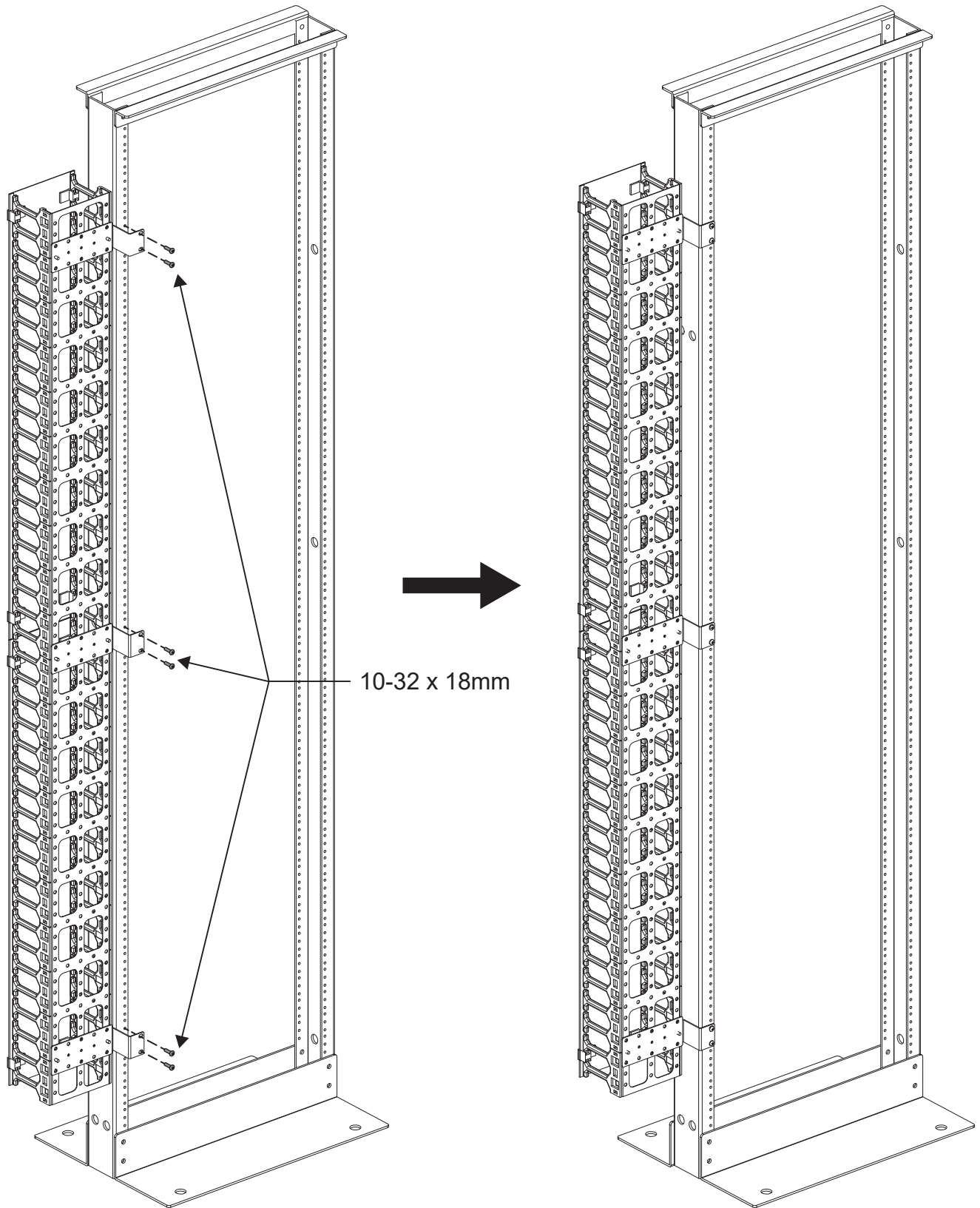
Power drill with Phillips bit  
(recommended)  
or Phillips head screwdriver

### STEP 1 - Single Cable Manager



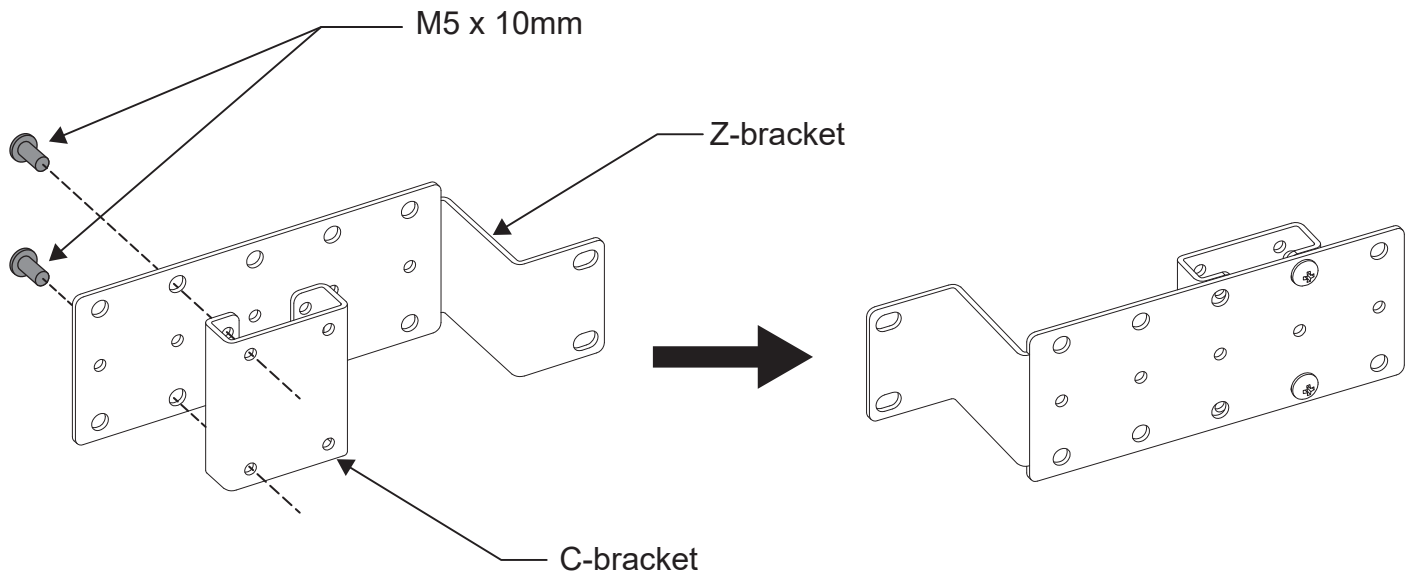
1. Remove both covers from the cable manager.
2. To provide optimum support, use all three Z-brackets - one towards the top, one towards the bottom, and one in the middle.
3. Insert the M5 screws from inside the cable manager through the holes indicated above and into the Z-brackets.

## STEP 2 - Single Cable Manager



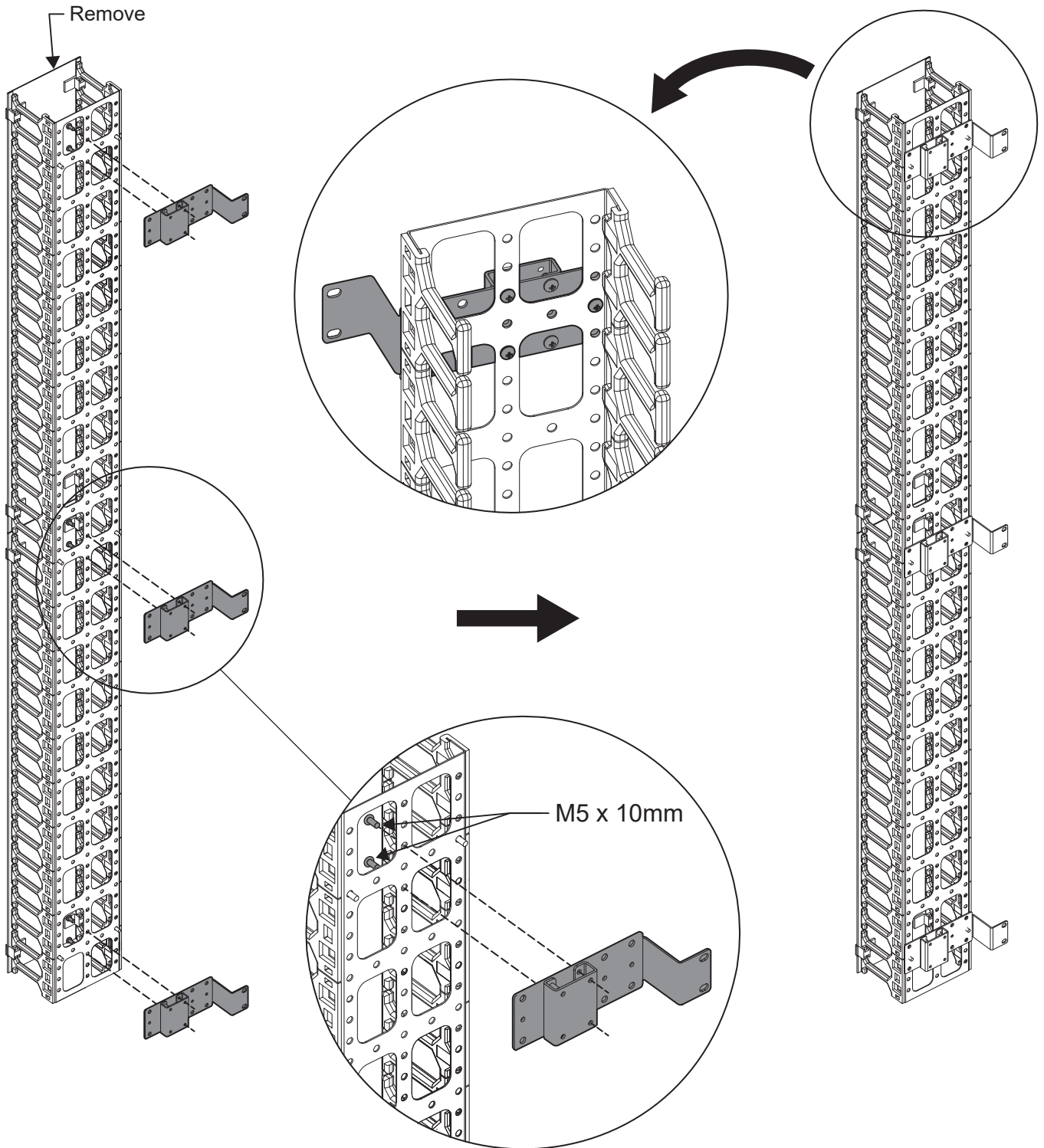
1. Move the cable manager into the desired position on the rack, making sure the holes in the Z-brackets align with full RU spaces on the rack.
2. Attach each bracket to the rack using (2) 10-32 screws.
3. Replace the front covers.

## STEP 1 - Double Cable Manager



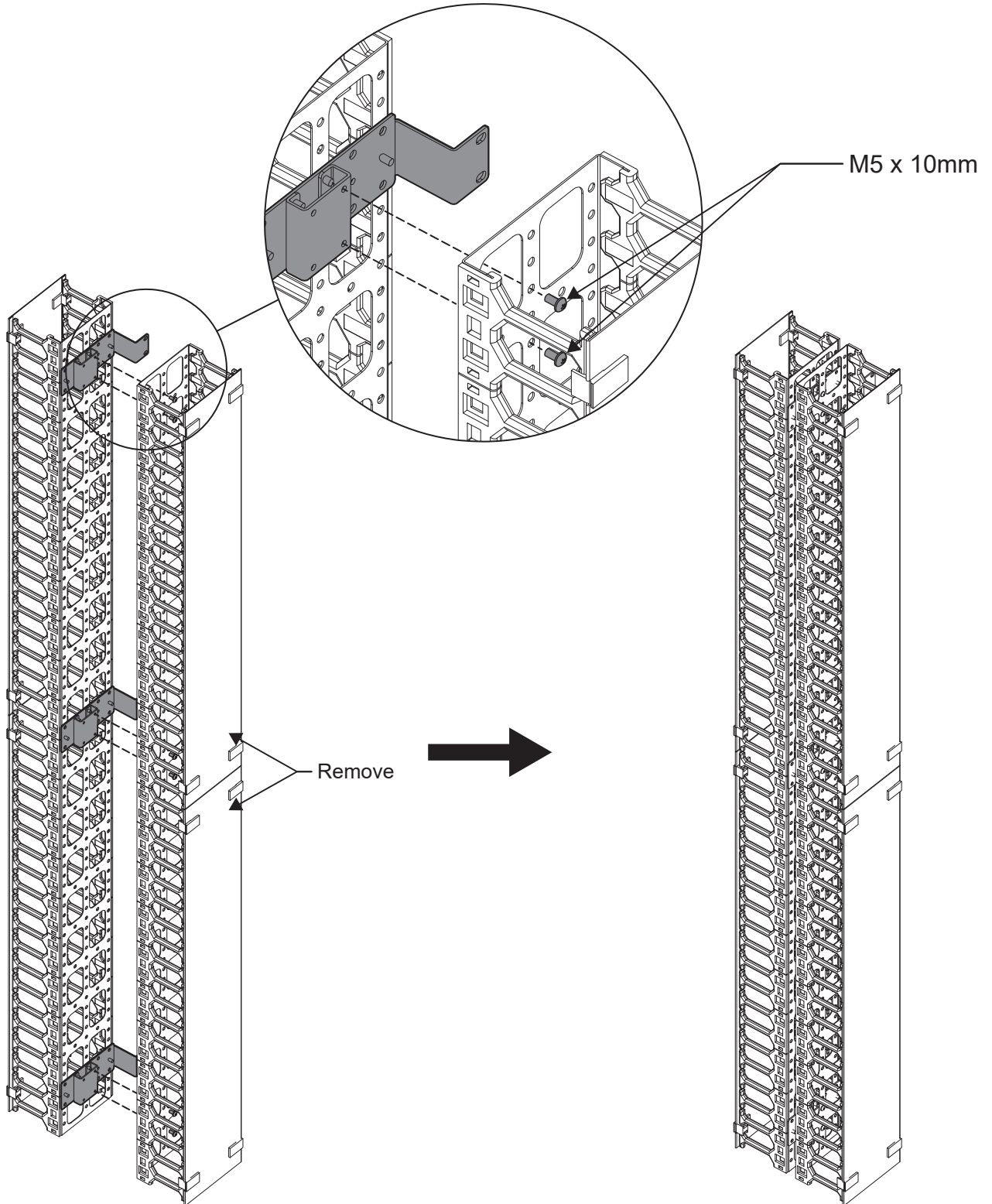
1. Before attaching the C-bracket to the Z-bracket, place the Z-bracket on the back of the cable manager, and then place the C-bracket on the Z-bracket, to assure proper alignment with the holes on the cable manager.
2. Remove both brackets from the cable manager and attach the C-bracket to the Z-bracket as shown using (2) M5 x 10mm screws.

## STEP 2 - Double Cable Manager



1. Remove both covers from both cable managers.
2. To provide optimum support, use all three bracket assemblies - one towards the top, one towards the bottom, and one in the middle.
3. Insert the M5 screws from inside the first cable manager through the holes indicated above and into the bracket assemblies.

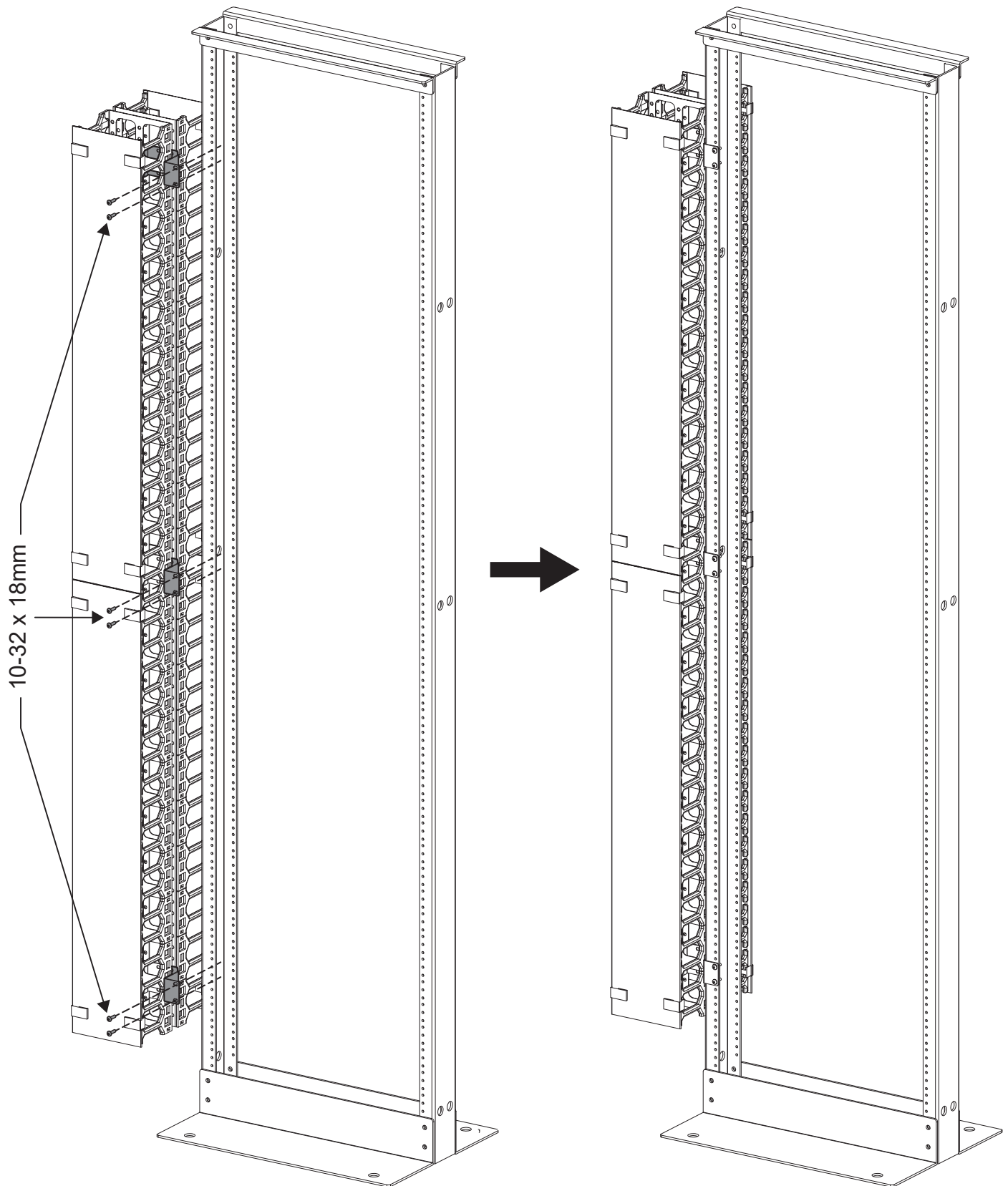
## STEP 3 - Double Cable Manager



1. Lay the first cable manager (with the bracket assemblies attached) on a flat surface with the brackets facing up.
2. Place the second cable manager on top of the first, making sure the ends are aligned.
3. Insert the M5 screws from inside the second cable manager through the holes indicated above and into the C-bracket.



## STEP 4 - Double Cable Manager



1. Move the cable manager into the desired position on the rack, making sure the holes in the Z-brackets align with full RU spaces on the rack.
2. Attach each bracket to the rack using (2) 10-32 screws.
3. Replace the front covers.

Use these instructions for assembling the following items:

RAMVF426  
RAMVF426D  
RAMVF428  
RAMVF428D  
RAMVF456  
RAMVF456D  
RAMVF458  
RAMVF458D  
RAMVF486  
RAMVF486D  
RAMVF488  
RAMVF488D

**✓ERICOM®**

2511 Westcott Blvd. Knoxville, TN 37931 USA  
vericomsolutions.com — +1 (865) 671-4455