



Standard Single Gang F-81 SCTE Compliant Faceplates



Applications

These standard single gang F-81 SCTE compliant faceplates offer connectivity for most satellite, cable, and CCTV applications requiring a single gang size and are ideal for situations requiring a flush mount.

Ordering Information

TYPE	IVORY	WHITE
SCTE Compliant Single F-81, Single Gang	XFPOP-04321	XFPOP-04320
SCTE Compliant Dual F-81, Single Gang	XFPOP-04319	XFPOP-04318

Description / Specifications

Vericom standard single gang F-81 SCTE compliant faceplates are molded out of proprietary impact resistant plastic. These faceplates provide quick connection and support for a single or a dual F-81 coaxial cable connection. These faceplates come complete with mounting screws.

Features & Benefits

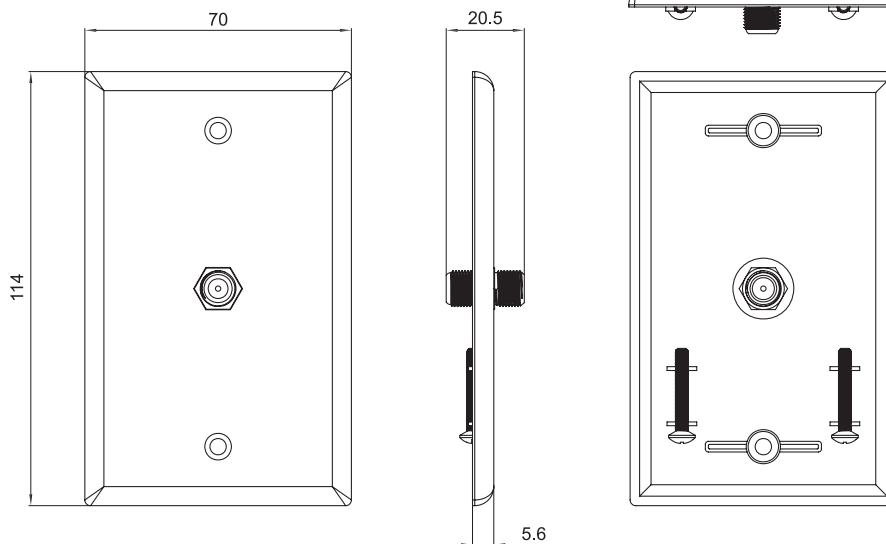
- Pre-installed single or dual F-81 connectors
- SCTE compliant up to 1002MHz
- Flush mounting for an aesthetic look
- For Satellite TV, Cable TV and CCTV applications
- Includes screws for mounting
- Available in White or Ivory



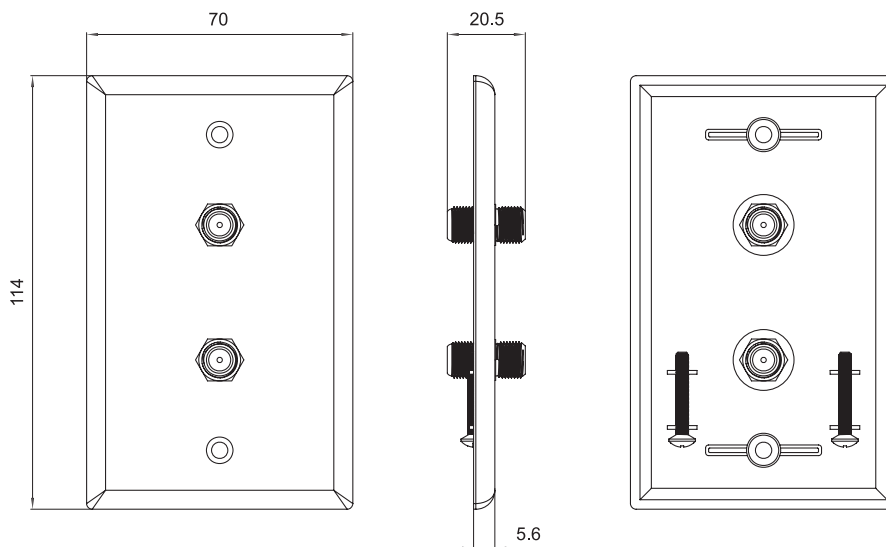
Standard Single Gang F-81 SCTE Compliant Faceplates

Technical Drawing

Single F-81



Dual F-81



Physical Specifications

# of Ports	1 Port	2 Port
Dimensions	114*70*20.5 mm	114*70*20.5 mm
Material	High Impact, Fire retardant ABS plastic rated UL94V-0	
Mounting	Screws (Included)	
Color	White or Ivory (see ordering information)	

TECHNICAL SHEETS ARE SUBJECT TO CHANGE WITHOUT NOTICE.

REV.20210203.1