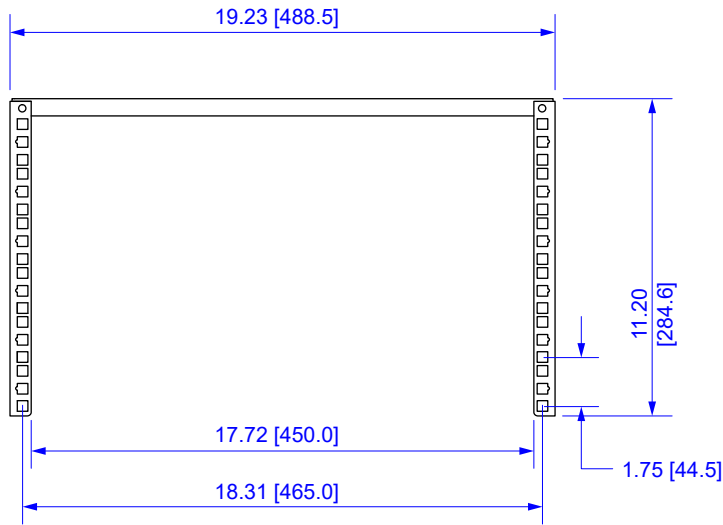
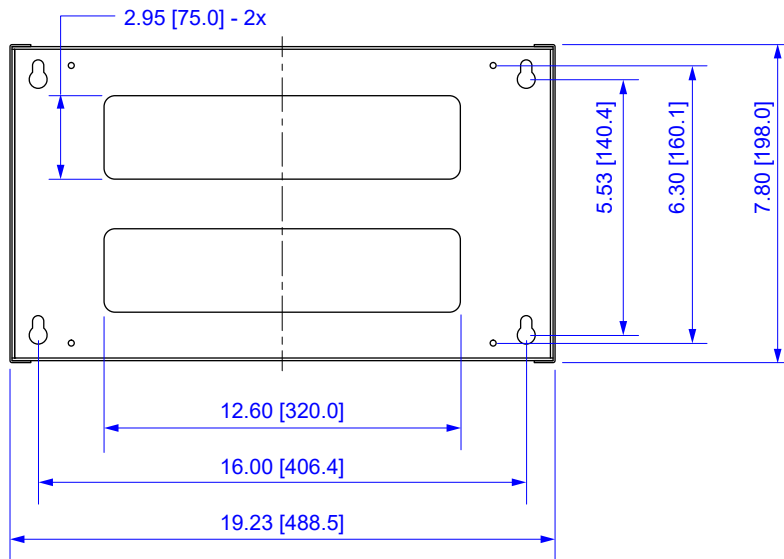
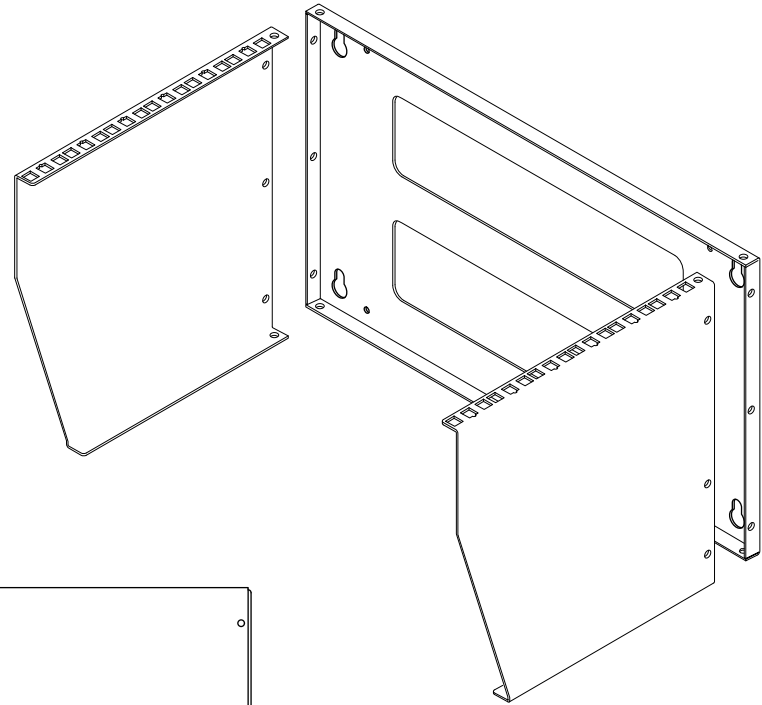


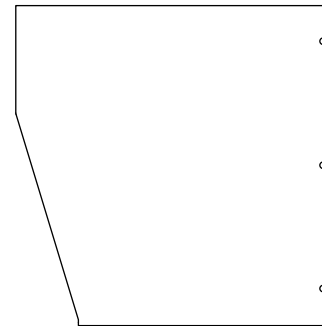
COMPLIANCE	ANSI/EIA RS-310D
	IEC60297-2
	DIN41494; Part 1 DIN41494; Part 7



TOP



FRONT



SIDE

No.	Description	Gauge	Qty
1	Back Plate	14	1
2	Side Bracket	14	2
3	M6 x 12mm Screws	N/A	20
4	M6 Flange Nuts	N/A	10
5	M6 Cage Nuts	N/A	10

ITEM NO.		VB2-061		<b>VERICOM</b> <sup>®</sup>	
DESCRIPTION					
6U VERTICAL WALL MOUNT BRACKET					
DATE	SCALE	SHEET	REV		
06/26/2023	none	1 of 1	1		

All dimensions in inches [millimeters]