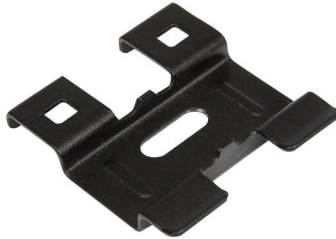




Snap-in Splice Clip

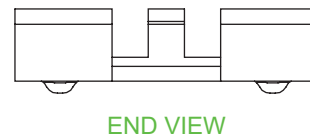
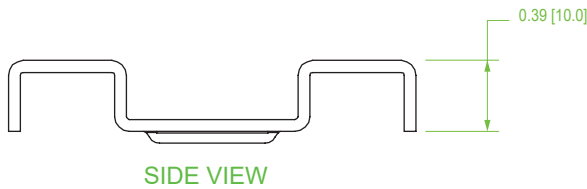
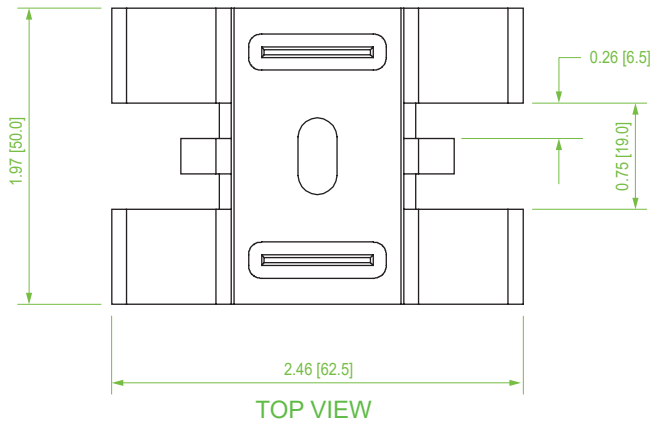


Description

This toolless splice clip is compatible with all tray sizes and offers fast and easy installation when connecting two sections of basket tray.

Product Specifications

- Material:** High-strength carbon steel
- Finish:** Black powder coat
- Dimensions (L x W x H):** 2.48" x 2.17" x 0.41"
- Weight:** 3.6 lbs per 50
- Compliance & Standards:** IEC 61537
- Selling Unit:** Bag of 50



ITEM NUMBER	DESCRIPTION	AVAILABILITY
VBT-SA-BP-B50	Snap-in Splice Clip	Stocked