



Washer Splice Kit



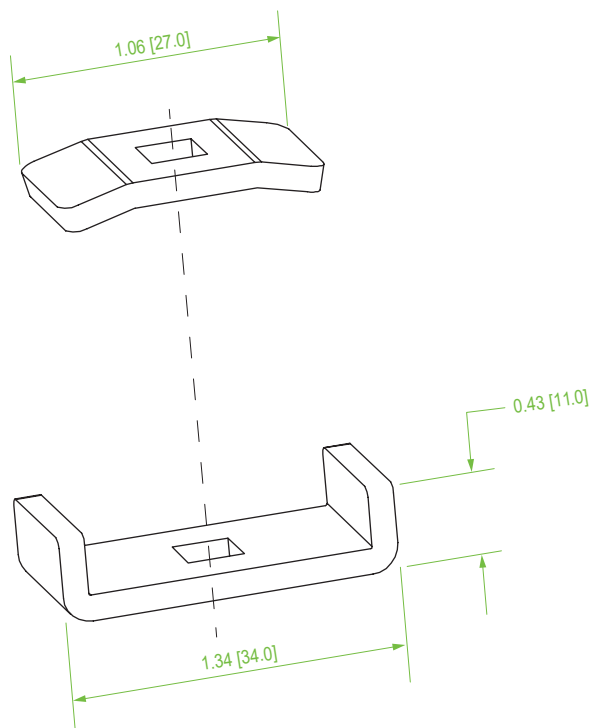
**Description**

Washer Splice Kits are used to connect two pieces of basket tray. Each 4-piece kit includes a top splice washer, bottom splice washer, M6x20 carriage bolt, and a M6 flange nut. Compatible with all tray sizes.

**Product Specifications**

- Material:** High-strength carbon steel
- Finish:** Black powder coat
- Dimensions (L x W x H):** n/a
- Weight:** 4.5 lbs per 50
- Compliance & Standards:** IEC 61537
- Selling Unit:** Bag of 50

ITEM NUMBER	DESCRIPTION	AVAILABILITY
VBT-SW-BP-B50	Washer Splice Kit	Stocked



TECHNICAL SHEETS ARE SUBJECT TO CHANGE WITHOUT NOTICE.

REV.20201102.1