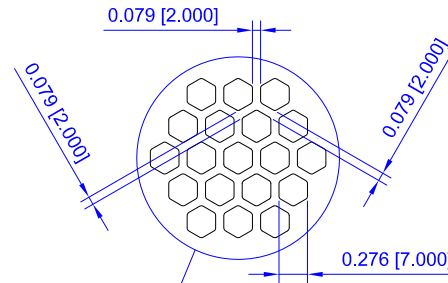
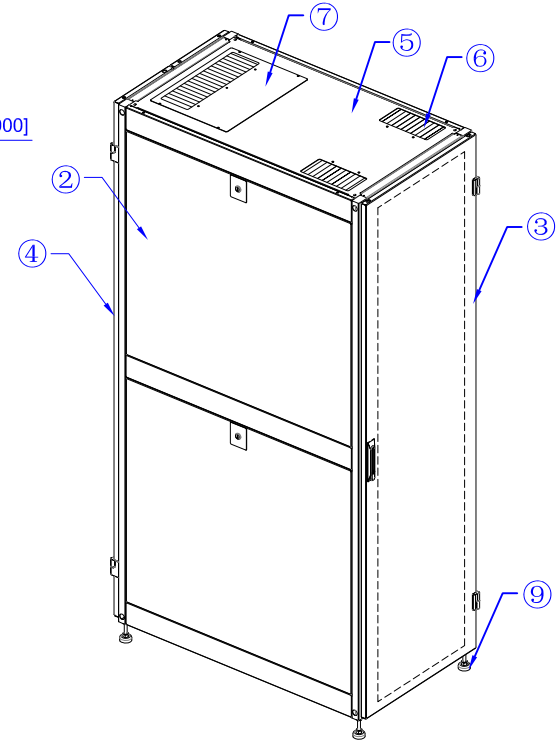


TOP VIEW

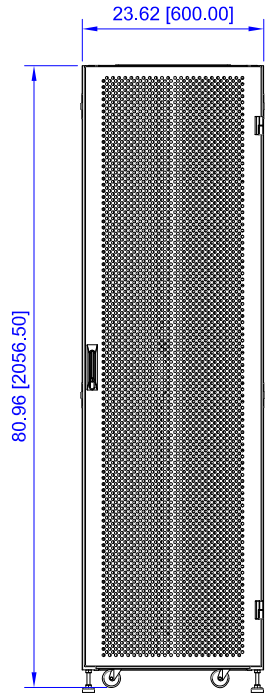


COMPLIANCE	ANSI/EIA RS-310D IEC60297-2 DIN41494; Part 1 DIN41494; Part 7 UL 2416 1 <sup>st</sup> Ed, NWIN
LOADING CAPACITY	3,000 lbs static load

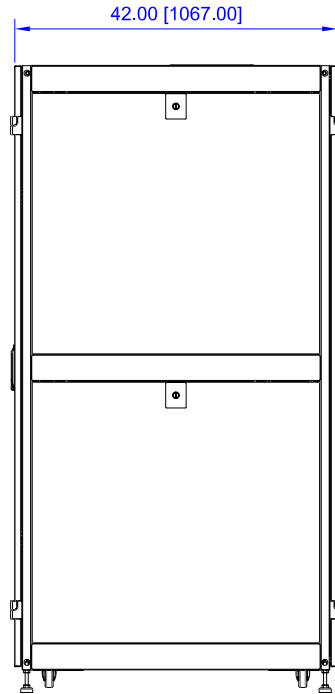


12	2	PDU Lacing Panels	Steel	18 gauge
11	4	Cage Hole Mounting Rails	Steel	14 gauge
10	4	2.5" Dia. Casters		
9	4	Adjustable Levelers		
8	2	Adjustable Bottom Panels	Steel	18 gauge
7	1	12.75" x 17" Removable Panel w/Brush	Steel	18 gauge
6	2	4" x 8" Brush Panel Cable Entry		
5	1	Top	Steel	18 gauge
4	1	Split Panel Mesh Rear Door (standard)	Steel	18 gauge
3	1	Full Panel Mesh Front Door (standard)	Steel	18 gauge
2	4	Removable Side Panels	Steel	16 gauge
1	N/A	Cabinet Frame	Steel	18 gauge
NO	QTY	NAME	MATERIAL	THICKNESS

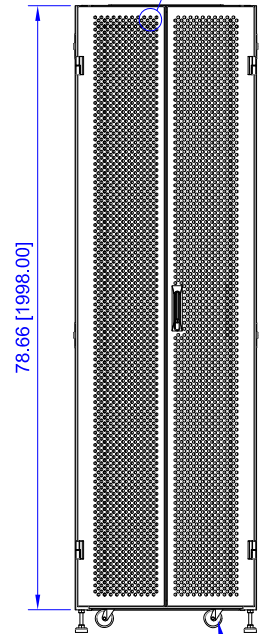
ITEM NO.		VC5-6A42-ABS1A		<b>VERICOM</b>	
DESCRIPTION					
Server Cabinet, 42U x 24"W x 42"D (Black)					
DATE	SCALE	SHEET	REV		
11/29/23	none	1 of 2	2		



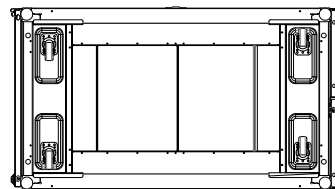
FRONT VIEW



SIDE VIEW

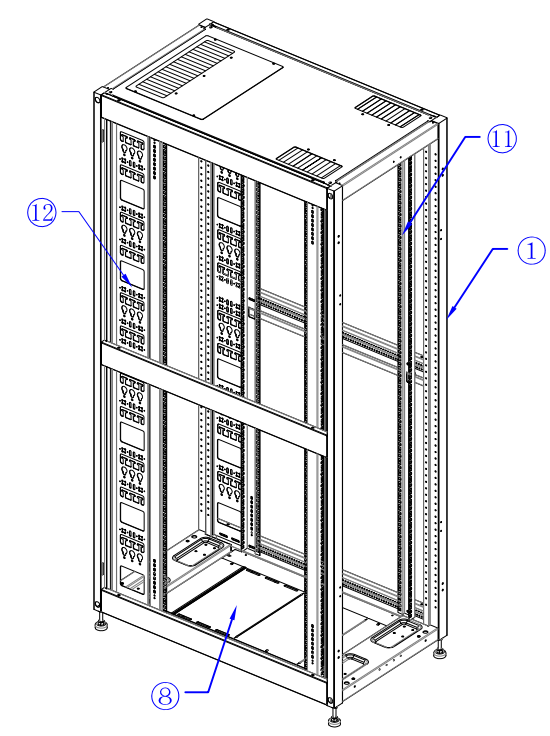
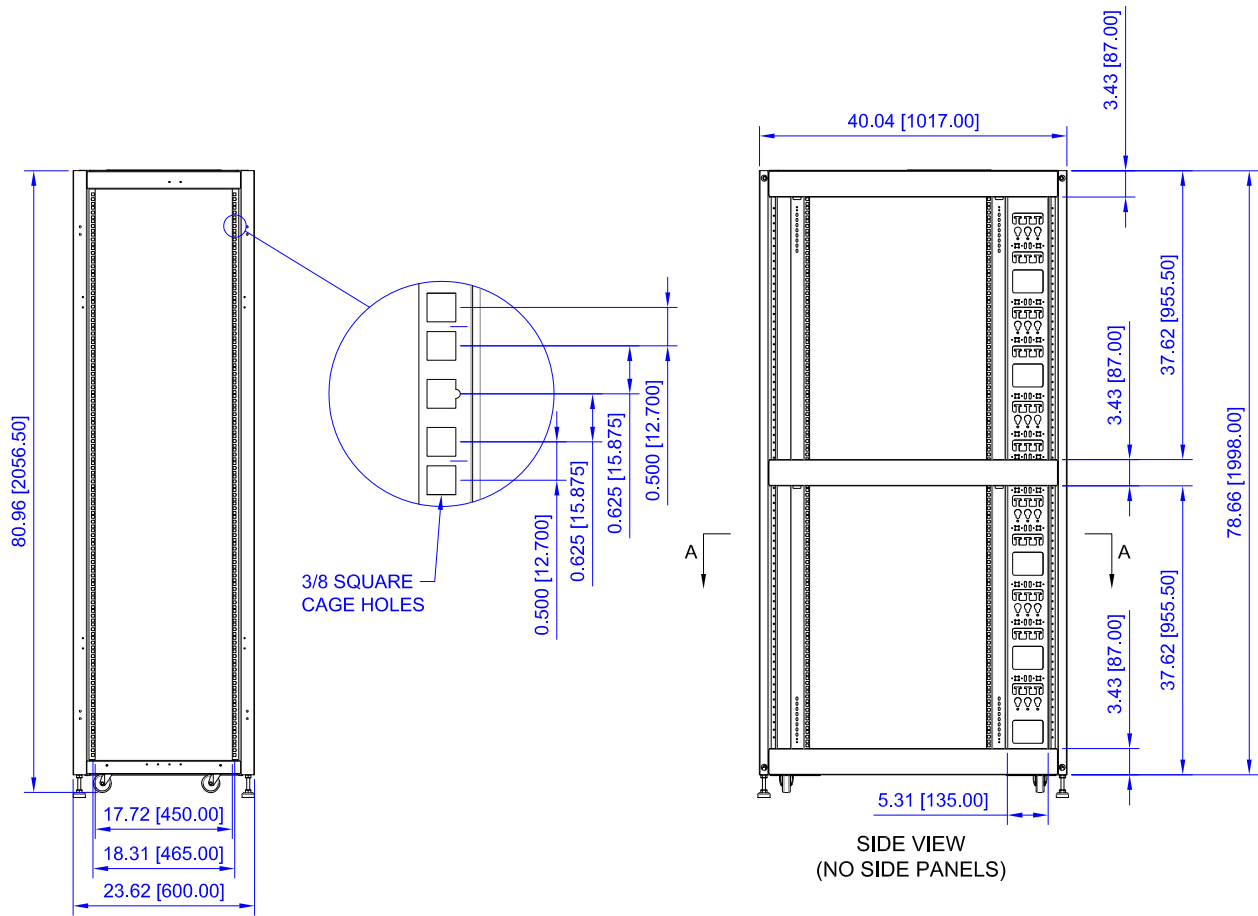


BACK VIEW



BOTTOM VIEW

All dimensions in inches [mm]



ITEM NO.	VC5-6A42-ABS1A		<b>VERICOM®</b>	
DESCRIPTION	Server Cabinet, 42U x 24"W x 42"D (Black)			
DATE	SCALE	SHEET	REV	
11/29/23	none	2 of 2	2	

All dimensions in inches [mm]