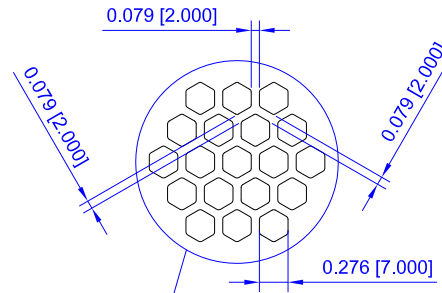
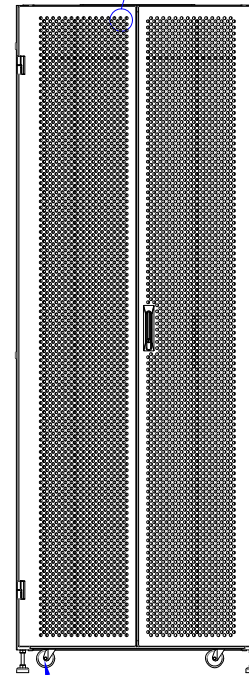


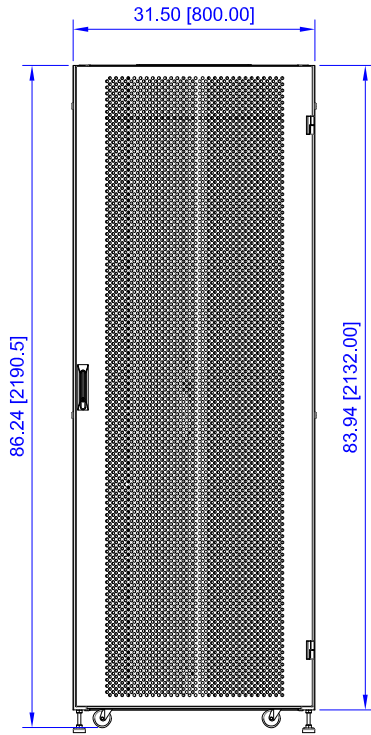
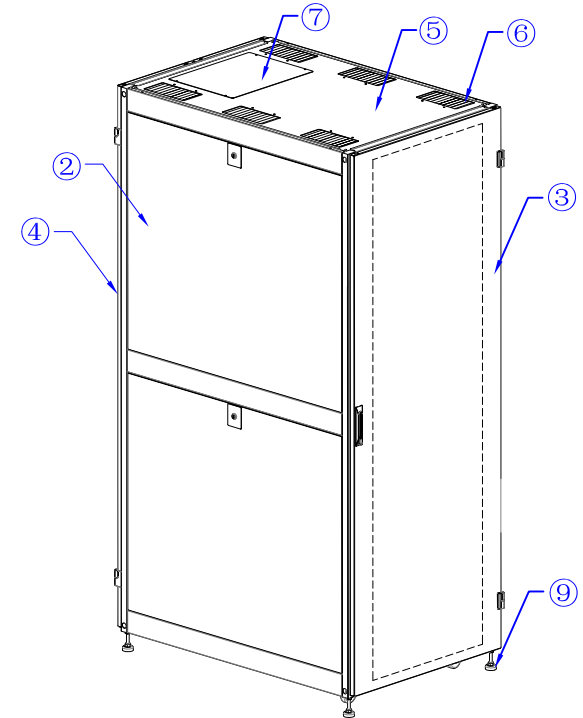
TOP VIEW



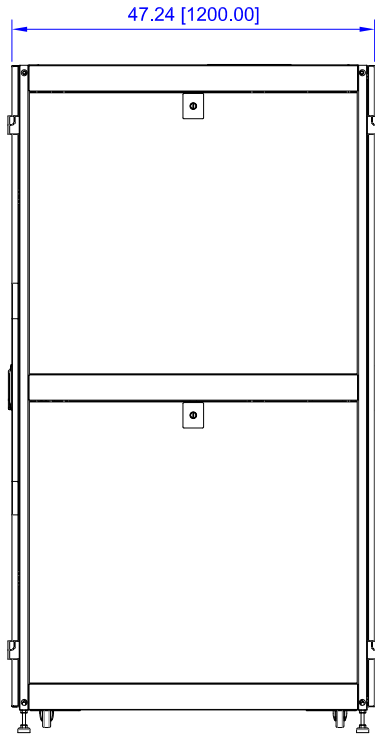
BACK VIEW



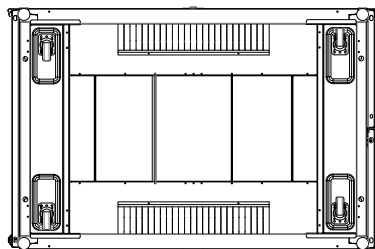
|                  |  |
|------------------|--|
| COMPLIANCE       | ANSI/EIA RS-310D<br>IEC60297-2<br>DIN41494; Part 1<br>DIN41494; Part 7<br>UL 2416 1 <sup>st</sup> Ed, NWIN |
| LOADING CAPACITY | 3,000 lbs static load  |



FRONT VIEW



SIDE VIEW



BOTTOM VIEW

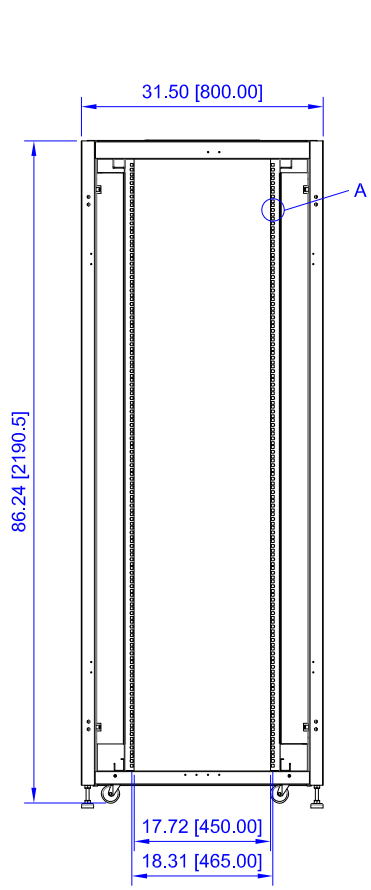
|    |     |                                       |          |           |
|----|-----|---------------------------------------|----------|-----------|
| 13 | 2   | Cable Management Trough               | Steel    | 18 gauge  |
| 12 | 2   | PDU Lacing Panels                     | Steel    | 18 gauge  |
| 11 | 4   | Cage Hole Mounting Rails              | Steel    | 14 gauge  |
| 10 | 4   | 2.5" Dia. Casters                     |          |           |
| 9  | 4   | Adjustable Levelers                   |          |           |
| 8  | 2   | Adjustable Bottom Panels              | Steel    | 18 gauge  |
| 7  | 1   | 12.75" x 17" Removable Solid Panel    | Steel    | 18 gauge  |
| 6  | 6   | 4" x 8" Brush Panel Cable Entry       |          |           |
| 5  | 1   | Top                                   | Steel    | 18 gauge  |
| 4  | 1   | Split Panel Mesh Rear Door (standard) | Steel    | 18 gauge  |
| 3  | 1   | Full Panel Mesh Front Door (standard) | Steel    | 18 gauge  |
| 2  | 4   | Removable Side Panels                 | Steel    | 16 gauge  |
| 1  | N/A | Cabinet Frame                         | Steel    | 18 gauge  |
| NO | QTY | NAME                                  | MATERIAL | THICKNESS |

ITEM NO. **VC5-8245-ABS1A** **VERICOM**<sup>®</sup>

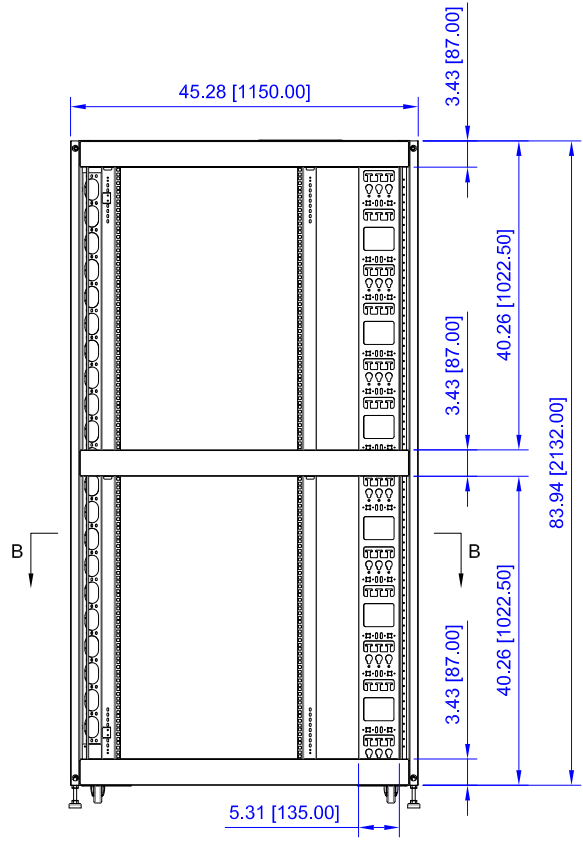
DESCRIPTION  
**Network Cabinet, 45U x 31.5"W x 48"D (Black)**

|          |       |        |     |
|----------|-------|--------|-----|
| DATE     | SCALE | SHEET  | REV |
| 06/21/22 | none  | 1 of 2 | 1   |

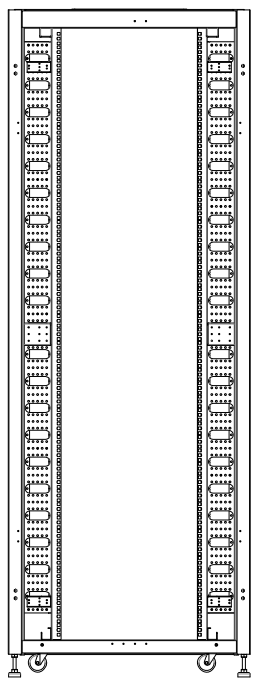
All dimensions in inches [mm]



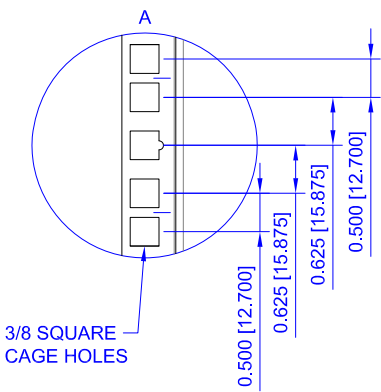
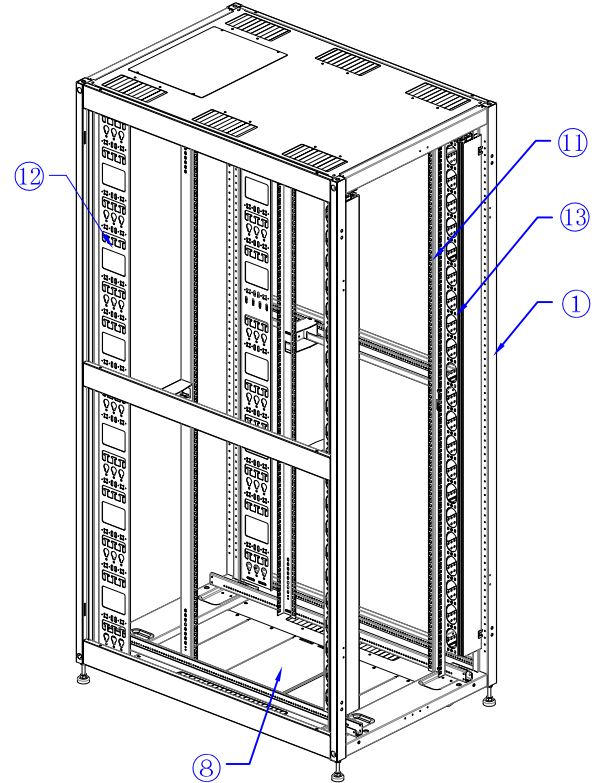
FRONT VIEW  
(NO DOOR)



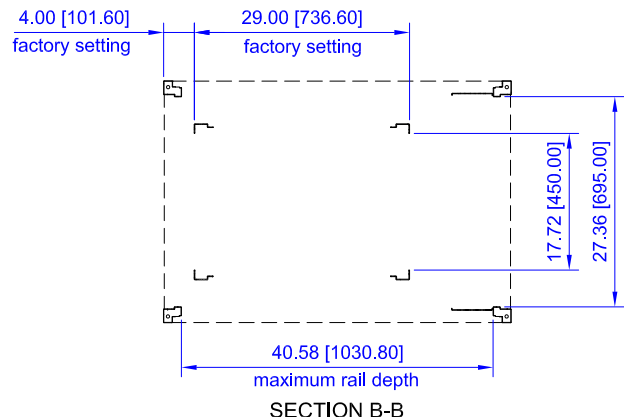
SIDE VIEW  
(NO SIDE PANELS)



BACK VIEW  
(NO DOOR)



3/8 SQUARE  
CAGE HOLES



SECTION B-B

All dimensions in inches [mm]

|             |  |       |                             |       |
|-------------|--|-------|-----------------------------|-------|
| ITEM NO.    | VC5-8245-ABS1A                               |       | <b>VERICOM</b> <sup>®</sup> |       |
| DESCRIPTION | Network Cabinet, 45U x 31.5"W x 48"D (Black) |       |                             |       |
| DATE        | 06/21/22                                     | SCALE | none                        | SHEET |
|             |  |       | 2 of 2                      | REV   |
|             |  |       |                             | 1     |