

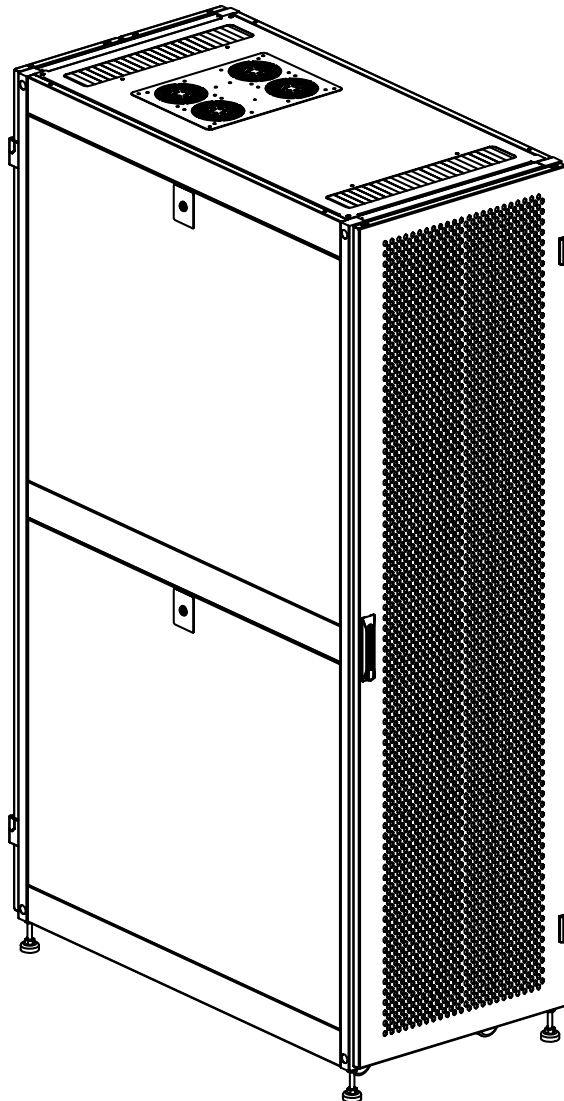


OWNER'S MANUAL

ENGLISH

**Server / Network Cabinet
Installation / Mounting Instructions**

VC5 Model Series



Vericom Global Solutions Legal Disclaimer

While every precaution has been taken to ensure the accuracy and completeness of this document, Vericom assumes no responsibility and disclaims all liability for damages resulting from use of this information or for any technical or editorial errors or omissions contained herein. The products covered by this instruction manual are manufactured and/or sold by Vericom. This document is the property of Vericom and contains confidential and proprietary information owned by Vericom and protected by copyright. No part of this document may be photocopied, reproduced, or translated to another language without the prior written consent of Vericom.

The only warranties for Vericom products and services are set forth in the express warranty statements accompanying such products and services. Nothing herein should be construed as constituting an additional warranty.

Table of Contents

Safety Information	1
Introduction	2-5
Introduction to the VC5 Series	2
Item List	2-4
Component Identification	5
Included Hardware	5
Tools Required	5
Installation	6-12
Unpacking	6
Moving and Placement	7-8
Leveling	9
Anchoring / Floor Mounting	10
Ganging Multiple Cabinets	11
Grounding	12
Configuration	13-18
Removing and Installing Doors	13
Removing and Installing Side Panels	14
Removing and Installing Top Panel	14
Removing and Installing Bottom Panel	15
Adjusting Mounting Rail Position	16-18
Equipment Installation	19-20
Specifications	21-24
Weight Capacity	21
Size Chart	21-24
Optional Accessories	25-26
Cable Management	25
Thermal Management	25
Storage / Shelves	25
Hardware & Mounting	26
Doors	26
Side Panels	26
Other Miscellaneous Accessories	27
Warranty Information	27

IMPORTANT SAFETY INFORMATION

Save These Instructions

This manual contains important safety information and instructions that should be followed during the installation and use of this product. Read and follow all safety, installation, and operating instructions contained in this manual to maintain compliance with agency listings. Failure to follow these instructions may result in equipment damage, personal injury, or death, and may void the warranty.

- Only trained service personnel should receive, unpack, and assemble this product.
- Inspect the shipping container and the cabinet for damage prior to installation. Do not use if the cabinet is damaged.
- Move the cabinet as close to the installation location as possible before removing packing materials. Casters are meant for moving the cabinet over short distances only on smooth, flat surfaces.
- Use caution when cutting packing materials. Damage that occurs during unpacking is not covered by the warranty.
- Save all packing materials for future use.
- Do not attempt to remove the cabinet from the pallet unassisted – a minimum of 2 people is required.
- Use extreme caution when moving the cabinet on its casters. Sudden stops, excessive force, or uneven surfaces may cause the cabinet to tip over, potentially causing personal injury and/or property damage.
- When rolling the cabinet on casters, always push from the front or rear. Never push on the side panels.
- Casters are only designed for short-distance movement and not long-term support. Use the levelers and/or mounting brackets for long-term support and security.
- Install the cabinet in a controlled indoor environment, free from moisture, flammable liquids, gasses, corrosive substances, dust and other contaminants, and temperature extremes. Do not use outdoors or in harsh environments.
- This cabinet must be installed on a flat, level, structurally sound surface that is able to bear the weight of the cabinet and all the installed equipment, as well as neighboring cabinets and their equipment.
- Leave adequate space at the front and rear of the cabinet for proper ventilation and door swings.
- Never block or insert objects into the ventilation holes or other openings.
- Anchor the cabinet to the floor using the mounting brackets that secured the cabinet to the shipping pallet.
- Only trained service personnel should install equipment in the cabinet.
- Install equipment from the bottom up, never from the top down, and install the heaviest equipment in the bottom one-third of the cabinet.
- Be sure to read and follow all individual manufacturer equipment manuals for safety and installation instructions.
- This product is designed for commercial/industrial use only. It is not intended for use with life support or other U.S. FDA designated “critical” devices.

INTRODUCTION

Vericom VC5 Series Data, Network, and Server Cabinets are robust, high-quality solutions for storing a wide variety of standard EIA-310 19" rack mount equipment. Available in several height/width/depth combinations, VC5 cabinets provide the versatility and flexibility to meet the needs of today's demanding applications. And with an expansive list of available accessories, VC5 cabinets can be further customized for specific installations.

This manual includes instructions for the installation and basic configuration of VC5 cabinets. For more detailed specifications and dimensions of a specific model, please refer to the specification drawing and data sheet available for download on our website.

VC5 Models

NOTE: Not all models are available in all regions. Please contact your Vericom representative for additional information.

VC5-6842- x¹x²x³x⁴x⁵	42U x 24" (600mm) W x 31.5" (800mm) D Server Cabinet *
VC5-6845- x¹x²x³x⁴x⁵	45U x 24" (600mm) W x 31.5" (800mm) D Server Cabinet *
VC5-6942- x¹x²x³x⁴x⁵	42U x 24" (600mm) W x 35.4" (900mm) D Server Cabinet
VC5-6945- x¹x²x³x⁴x⁵	45U x 24" (600mm) W x 35.4" (900mm) D Server Cabinet
VC5-6947- x¹x²x³x⁴x⁵	47U x 24" (600mm) W x 35.4" (900mm) D Server Cabinet
VC5-6948- x¹x²x³x⁴x⁵	48U x 24" (600mm) W x 35.4" (900mm) D Server Cabinet
VC5-6042- x¹x²x³x⁴x⁵	42U x 24" (600mm) W x 39.4" (1000mm) D Server Cabinet
VC5-6045- x¹x²x³x⁴x⁵	45U x 24" (600mm) W x 39.4" (1000mm) D Server Cabinet
VC5-6047- x¹x²x³x⁴x⁵	47U x 24" (600mm) W x 39.4" (1000mm) D Server Cabinet
VC5-6048- x¹x²x³x⁴x⁵	48U x 24" (600mm) W x 39.4" (1000mm) D Server Cabinet
VC5-6A24- x¹x²x³x⁴x⁵	24U x 24" (600mm) W x 42" (1070mm) D Server Cabinet *
VC5-6A42- x¹x²x³x⁴x⁵	42U x 24" (600mm) W x 42" (1070mm) D Server Cabinet *
VC5-6A45- x¹x²x³x⁴x⁵	45U x 24" (600mm) W x 42" (1070mm) D Server Cabinet *
VC5-6A47- x¹x²x³x⁴x⁵	47U x 24" (600mm) W x 42" (1070mm) D Server Cabinet
VC5-6A48- x¹x²x³x⁴x⁵	48U x 24" (600mm) W x 42" (1070mm) D Server Cabinet *
VC5-6A52- x¹x²x³x⁴x⁵	52U x 24" (600mm) W x 42" (1070mm) D Server Cabinet *
VC5-6124- x¹x²x³x⁴x⁵	24U x 24" (600mm) W x 43.3" (1100mm) D Server Cabinet
VC5-6142- x¹x²x³x⁴x⁵	42U x 24" (600mm) W x 43.3" (1100mm) D Server Cabinet
VC5-6145- x¹x²x³x⁴x⁵	45U x 24" (600mm) W x 43.3" (1100mm) D Server Cabinet
VC5-6147- x¹x²x³x⁴x⁵	47U x 24" (600mm) W x 43.3" (1100mm) D Server Cabinet
VC5-6148- x¹x²x³x⁴x⁵	48U x 24" (600mm) W x 43.3" (1100mm) D Server Cabinet
VC5-6152- x¹x²x³x⁴x⁵	52U x 24" (600mm) W x 43.3" (1100mm) D Server Cabinet
VC5-6224- x¹x²x³x⁴x⁵	24U x 24" (600mm) W x 48" (1200mm) D Server Cabinet
VC5-6242- x¹x²x³x⁴x⁵	42U x 24" (600mm) W x 48" (1200mm) D Server Cabinet *
VC5-6245- x¹x²x³x⁴x⁵	45U x 24" (600mm) W x 48" (1200mm) D Server Cabinet *
VC5-6247- x¹x²x³x⁴x⁵	47U x 24" (600mm) W x 48" (1200mm) D Server Cabinet
VC5-6248- x¹x²x³x⁴x⁵	48U x 24" (600mm) W x 48" (1200mm) D Server Cabinet *
VC5-6252- x¹x²x³x⁴x⁵	52U x 24" (600mm) W x 48" (1200mm) D Server Cabinet *
VC5-7842- x¹x²x³x⁴x⁵	42U x 29.5" (750mm) W x 31.5" (800mm) D Data Cabinet
VC5-7845- x¹x²x³x⁴x⁵	45U x 29.5" (750mm) W x 31.5" (800mm) D Data Cabinet
VC5-7942- x¹x²x³x⁴x⁵	42U x 29.5" (750mm) W x 35.4" (900mm) D Data Cabinet
VC5-7945- x¹x²x³x⁴x⁵	45U x 29.5" (750mm) W x 35.4" (900mm) D Data Cabinet
VC5-7947- x¹x²x³x⁴x⁵	47U x 29.5" (750mm) W x 35.4" (900mm) D Data Cabinet
VC5-7948- x¹x²x³x⁴x⁵	48U x 29.5" (750mm) W x 35.4" (900mm) D Data Cabinet
VC5-7952- x¹x²x³x⁴x⁵	52U x 29.5" (750mm) W x 35.4" (900mm) D Data Cabinet

VC5-8242- x¹x²x³x⁴x⁵	42U x 31.5" (800mm) W x 48" (1200mm) D Network Cabinet *
VC5-8245- x¹x²x³x⁴x⁵	45U x 31.5" (800mm) W x 48" (1200mm) D Network Cabinet *
VC5-8247- x¹x²x³x⁴x⁵	47U x 31.5" (800mm) W x 48" (1200mm) D Network Cabinet
VC5-8248- x¹x²x³x⁴x⁵	48U x 31.5" (800mm) W x 48" (1200mm) D Network Cabinet *
VC5-8252- x¹x²x³x⁴x⁵	52U x 31.5" (800mm) W x 48" (1200mm) D Network Cabinet *

x¹: Front door designation (*A=single mesh; B=split mesh; C=high flow mesh; D=solid steel; E=acrylic window w/solid steel frame; F=glass window w/vented steel frame; H=steel w/hexagon holes*)

x²: Rear door designation (*A=single mesh; B=split mesh; C=high flow mesh; D=solid steel; E=acrylic window w/solid steel frame; F=glass window w/vented steel frame; H=steel w/hexagon holes*)

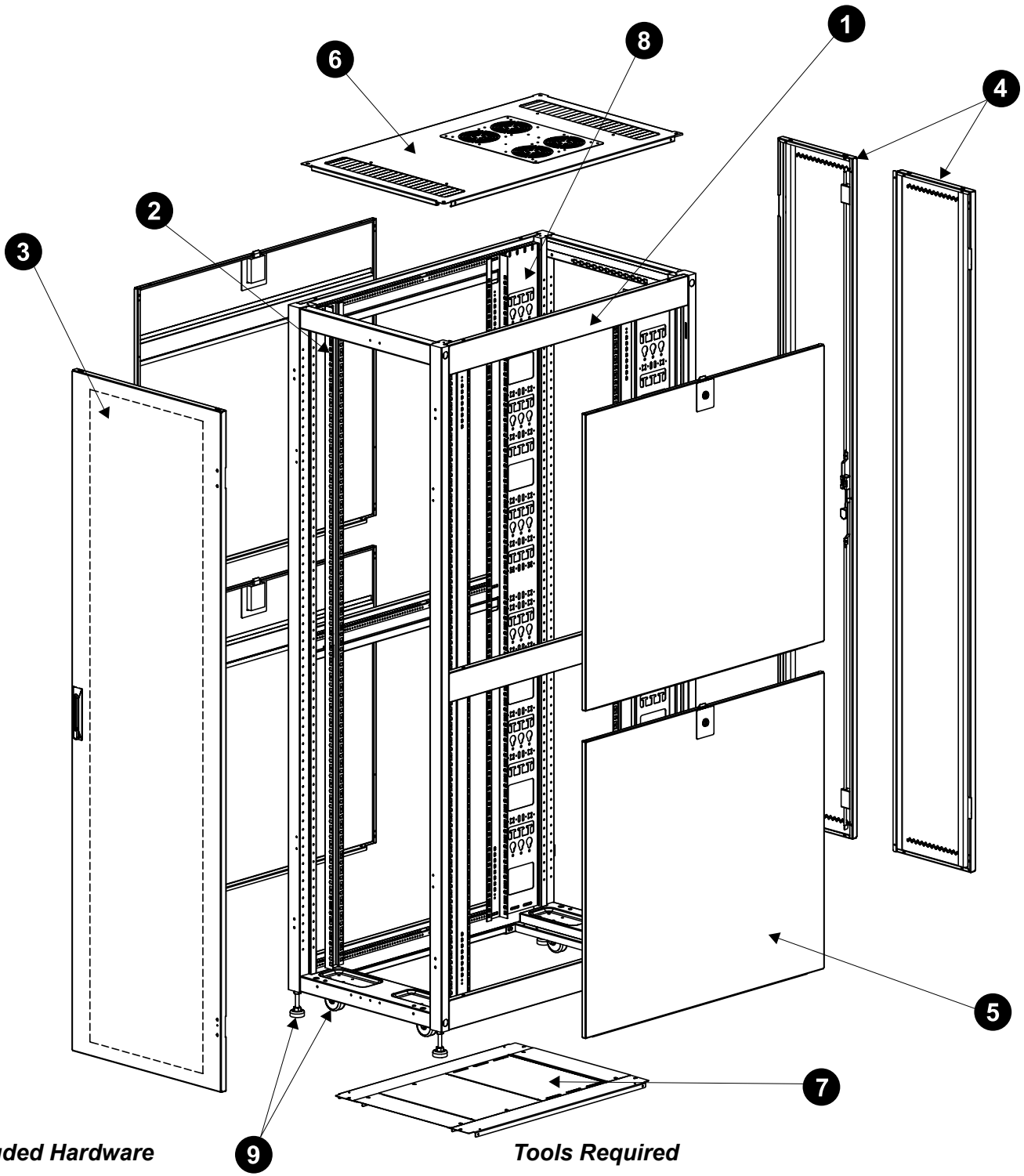
x³: Top panel designation (*V=vented; F=w/fans; S=solid*)

x⁴: Color designation (*0=White RAL7035; 1=Black RAL9005; 2=White RAL9002*)

x⁵: Delivery option (*A=Assembled; F=Flat Packed*)

*****: Denotes models stocked at global headquarters in Knoxville, TN

- | | | |
|-----------------------|--------------------|---------------------------------|
| 1. Cabinet frame | 4. Rear door | 7. Bottom panel |
| 2. Mounting rails (4) | 5. Side panels (4) | 8. Zero-U PDU lacing panels (2) |
| 3. Front door | 6. Top panel | 9. Casters and levelers |



Included Hardware

- (50) 10-32 screws
- (50) cage nuts
- (6) keys
- (2) floor mounting brackets
- (1) cage nut tool

Tools Required

- Utility knife
- Phillips screwdriver and/or power drill with Phillips bit
- 10mm socket, box, or open end wrench (optional)
- 9/16" socket, box, and/or open end wrench (2 required)
- 19mm open end wrench
- Carpenter's level (min 3 ft recommended)

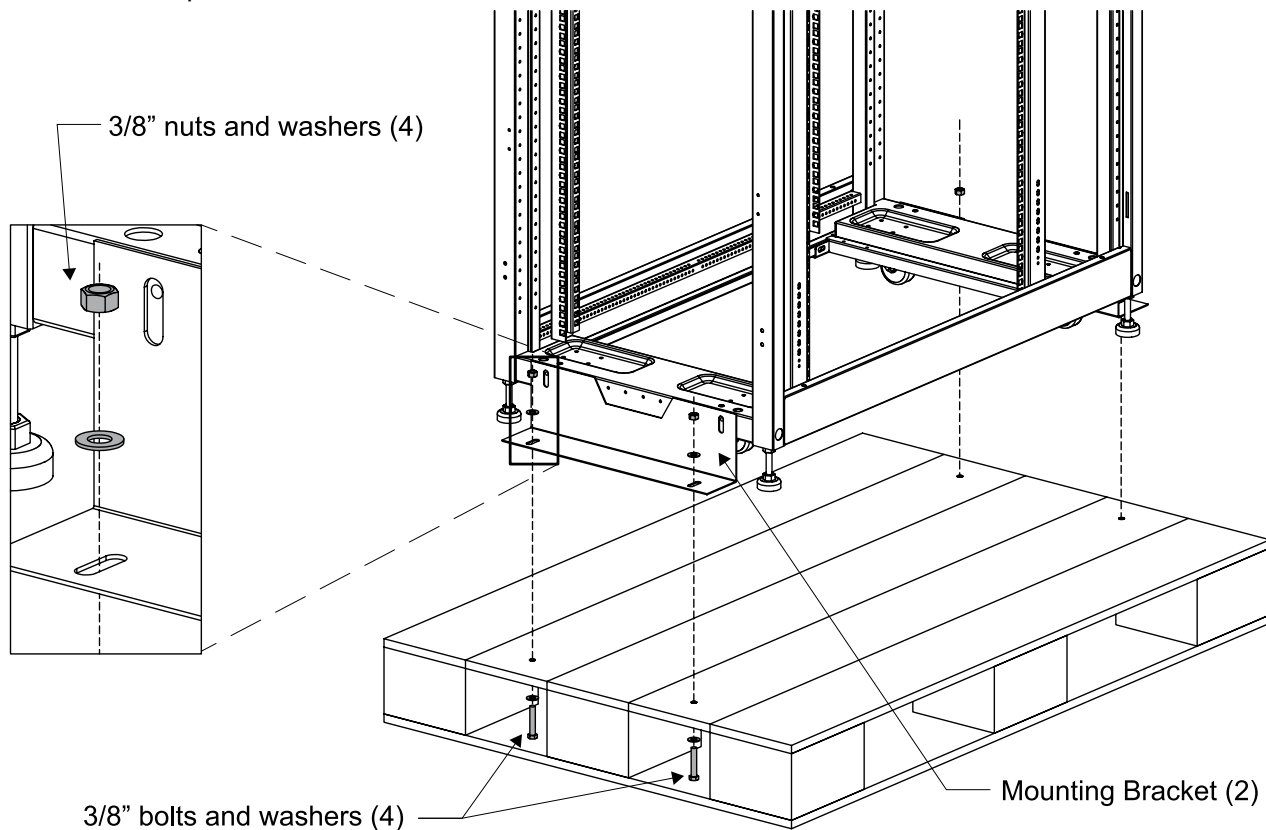
INSTALLATION

Unpacking

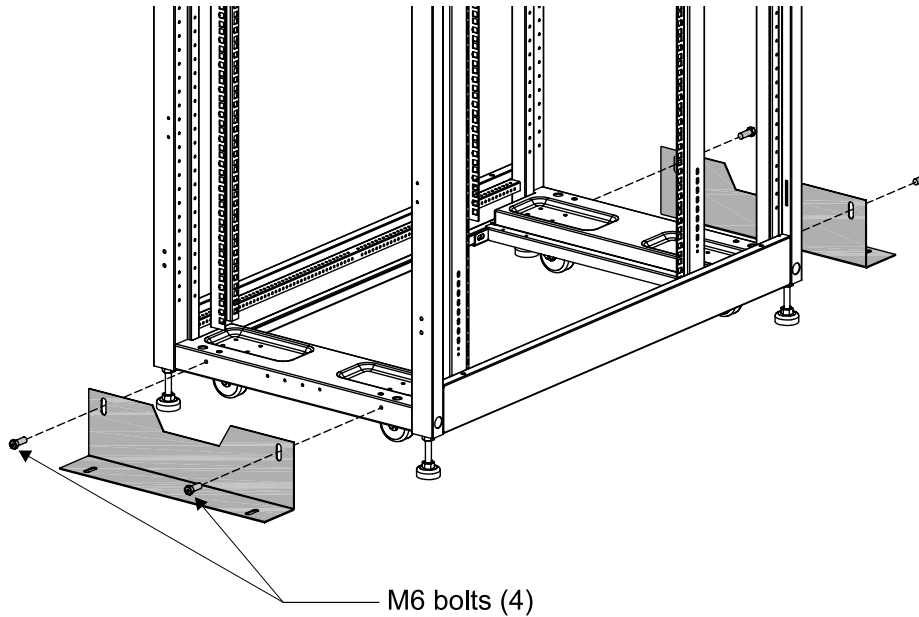
This cabinet is very heavy – do not attempt to unpack, move, or install it without assistance.

NOTE: Upon receipt and before moving or unpacking the cabinet, inspect the packaging for signs of damage or mishandling during shipment. If any is found, notify the carrier immediately and contact your distributor or Vericom representative.

1. Before removing any packaging, use a forklift or pallet jack to move the cabinet on its pallet as close to the final installation location as possible.
2. Use a utility knife to carefully cut the plastic stretch wrap along one of the corner protectors. Do not cut between two corner protectors as you risk scratching the cabinet. Remove the outer layer of stretch wrap.
3. Remove the corner protectors and save if the cabinet will be reshipped.
4. Carefully remove the inside layer of stretch wrap and/or the plastic bag. Do not allow the utility knife to come in contact with the cabinet.
5. Inspect the cabinet once again for damage (*NOTE: do not install equipment in a cabinet with structural damage*). Remove the hardware pack and any boxed accessories packed inside the cabinet. If any items are missing, please call customer service at 865-671-4455, M-F 8:00AM-5:00PM ET, for replacement.
6. To remove the Mounting Brackets, open and/or remove the doors (*see instructions for removing the doors on page 13*). Using a 9/16" socket and box wrench or crescent wrench, remove the bolts that secure the Mounting Bracket to the pallet.



- Next, use a 10mm socket, box wrench, or a Phillips screwdriver to remove the bolts that secure the Mounting Bracket to the cabinet.



NOTE: Do not throw away the Mounting Brackets or the 10mm bolts – they are used to anchor the cabinet to the floor.

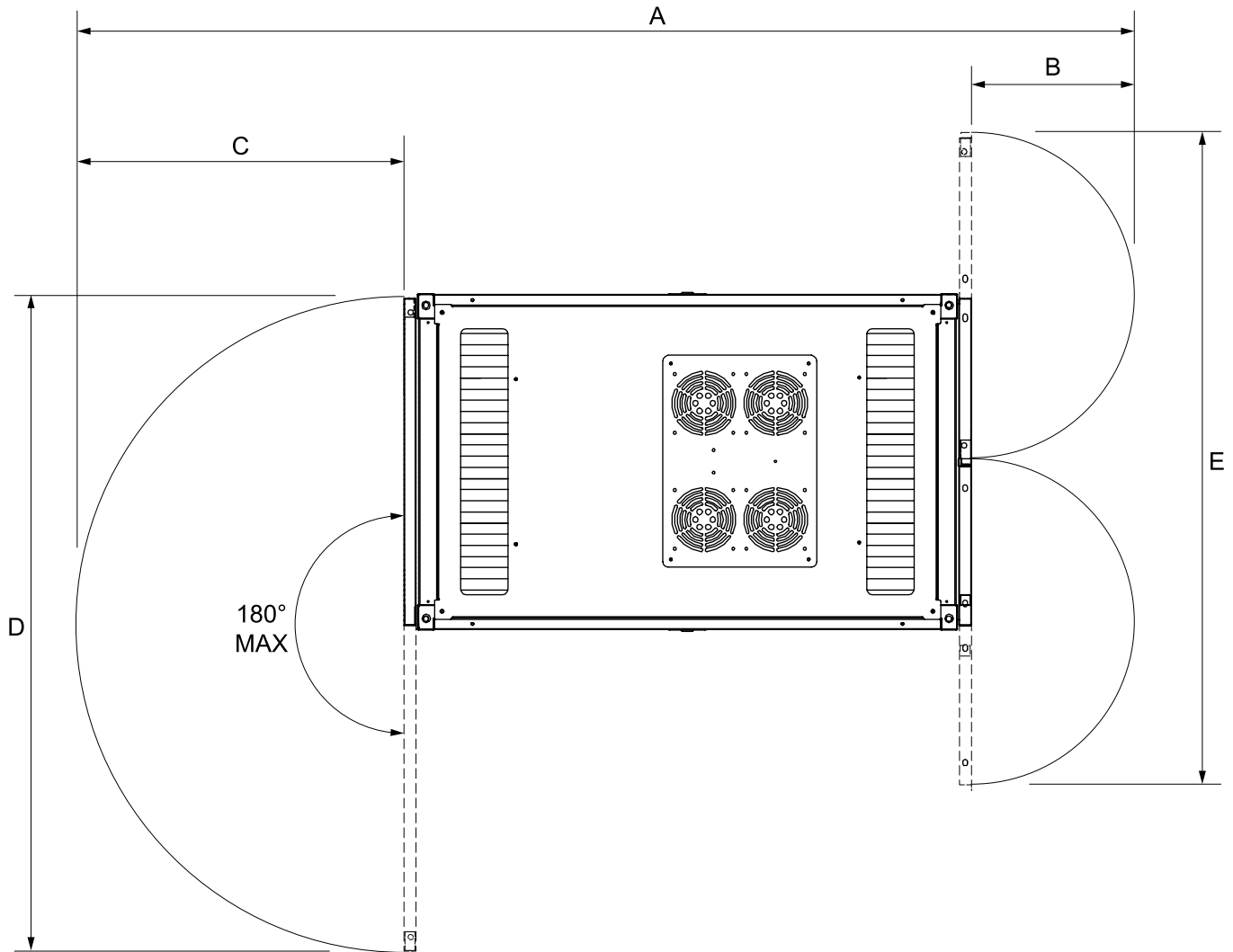
- Use a 19mm open end wrench to completely raise the levelers. Rotate levers counterclockwise to raise them and clockwise to lower them.

Moving and Placement

Remember these important safety instructions when moving this cabinet:

- Do not attempt to remove the cabinet from the pallet unassisted – a minimum of 2 people is required.
 - Use extreme caution when moving the cabinet on its casters. Sudden stops, excessive force, or uneven surfaces may cause the cabinet to tip over, potentially causing personal injury and/or property damage.
 - When rolling the cabinet on casters, always push from the front or rear. Never push on the side panels.
 - Casters are only designed for short-distance movement and not long-term support. Use the levelers and/or mounting brackets for long-term support and security.
- To make it easier to remove the cabinet from the pallet, you may wish to remove the doors (*if not already removed*) and side panels. See pages 13 - 14 for instructions on how to remove both items.
 - With at least one person positioned in front of the cabinet and one person at the rear, push the cabinet forward until the front casters are well off the edge of the pallet. Slowly tip the cabinet forward until the front casters are resting on the floor. Continue to carefully slide the cabinet forward until the rear casters are off the edge of the pallet and resting on the floor.

3. Move the cabinet into the desired installation position. Refer to the chart below to ensure proper clearance around all sides for installation and maintenance of installed equipment.
4. If ganging cabinets together, remove round plastic caps from sides that will be ganged (4 per side).

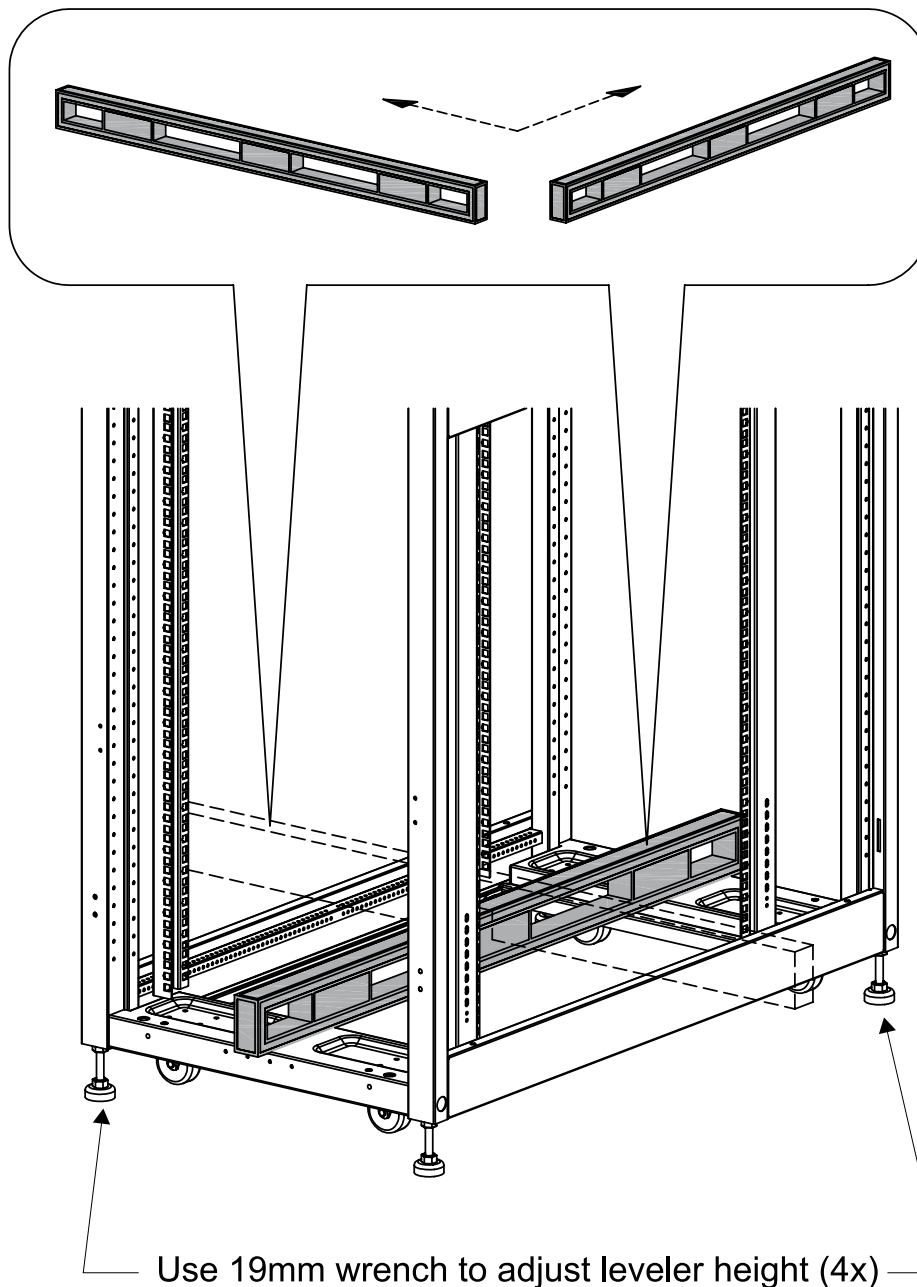


CABINET WIDTH	CABINET DEPTH	A	B	C	D	E
24 in. (600 mm)	31.5 in. (800 mm)	64.2 in. (1630 mm)	10.3 in. (269 mm)	22.1 in. (561 mm)	45.9 in. (1167 mm)	45.9 in. (1167 mm)
	35.4 in. (900 mm)	68.1 in. (1730 mm)				
	39.4 in. (1000 mm)	72.0 in. (1830 mm)				
	42.0 in. (1067 mm)	74.0 in. (1879 mm)				
	43.3 in. (1100 mm)	76.0 in. (1930 mm)				
31.5 in. (800 mm)	47.2 in. (1200 mm)	79.9 in. (2030 mm)	14.5 in. (368 mm)	30.0 in. (761 mm)	61.7 in. (1567 mm)	61.7 in. (1567 mm)
	31.5 in. (800 mm)	76.0 in. (1930 mm)				
	35.4 in. (900 mm)	79.9 in. (2030 mm)				
	39.4 in. (1000 mm)	83.8 in. (2130 mm)				
	42.0 in. (1067 mm)	86.5 in. (2196 mm)				
43.3 in. (1100 mm)	87.8 in. (2230 mm)					
47.2 in. (1200 mm)	91.7 in. (2330 mm)					

Leveling

REMINDER: This cabinet must be installed on a flat, level, structurally sound surface that is able to bear the weight of the cabinet and all the installed equipment, as well as neighboring cabinets and their equipment.

1. Using a 19mm open end wrench or crescent wrench, lower all four levelers until they come in firm contact with the floor. Rotate levelers clockwise to lower them and counterclockwise to raise them.
2. Place a carpenter's level across the bottom of the cabinet and check to see if it is level both side to side and front to back. If it is not, adjust the levelers accordingly until the cabinet is level in both directions and does not rock in any direction. NOTE: All four levelers must maintain firm contact with the floor during adjustment.

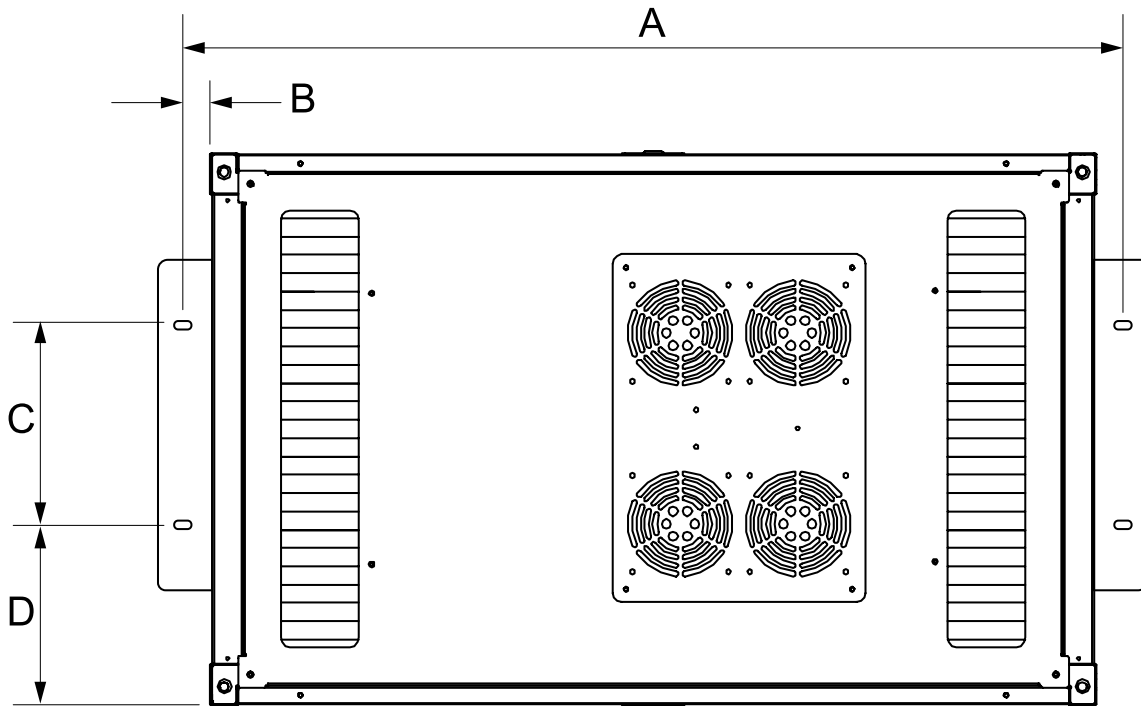


3. Raise the hex nut on the leveler up until it reaches the bottom of the cabinet and snug with the 19mm wrench. This will lock the leveler in place.

Anchoring / Floor Mounting

All VC5 cabinets should be anchored to the floor to ensure proper safety. Failure to do so can lead to serious injury and/or damage to your equipment.

1. To anchor the cabinet to the floor, reuse the mounting brackets that secured the cabinet to the pallet.
2. Place the mounting brackets at the front and rear of the cabinet and use the M6 hex head screws (*the same screws that secured the mounting bracket to the cabinet and were previously removed*) to fasten the brackets to the cabinet frame.
3. Secure the brackets to the floor using user-supplied hardware.



CABINET WIDTH	CABINET DEPTH*	A	B	C	D
24 in. (600 mm)	31.5 in. (800 mm)	31.5 in. (800 mm)	1.0 in. (25 mm)	10.2 in. (260 mm)	6.7 in. (170 mm)
	35.4 in. (900 mm)	35.4 in. (900 mm)			
	39.4 in. (1000 mm)	39.4 in. (1000 mm)			
	42.0 in. (1067 mm)	42.0 in. (1067 mm)			
	43.3 in. (1100 mm)	43.3 in. (1100 mm)			
	47.2 in. (1200 mm)	47.2 in. (1200 mm)			
31.5 in. (800 mm)	31.5 in. (800 mm)	31.5 in. (800 mm)		18.1 in. (460 mm)	
	35.4 in. (900 mm)	35.4 in. (900 mm)			
	39.4 in. (1000 mm)	39.4 in. (1000 mm)			
	42.0 in. (1067 mm)	42.0 in. (1067 mm)			
	43.3 in. (1100 mm)	43.3 in. (1100 mm)			
	47.2 in. (1200 mm)	47.2 in. (1200 mm)			

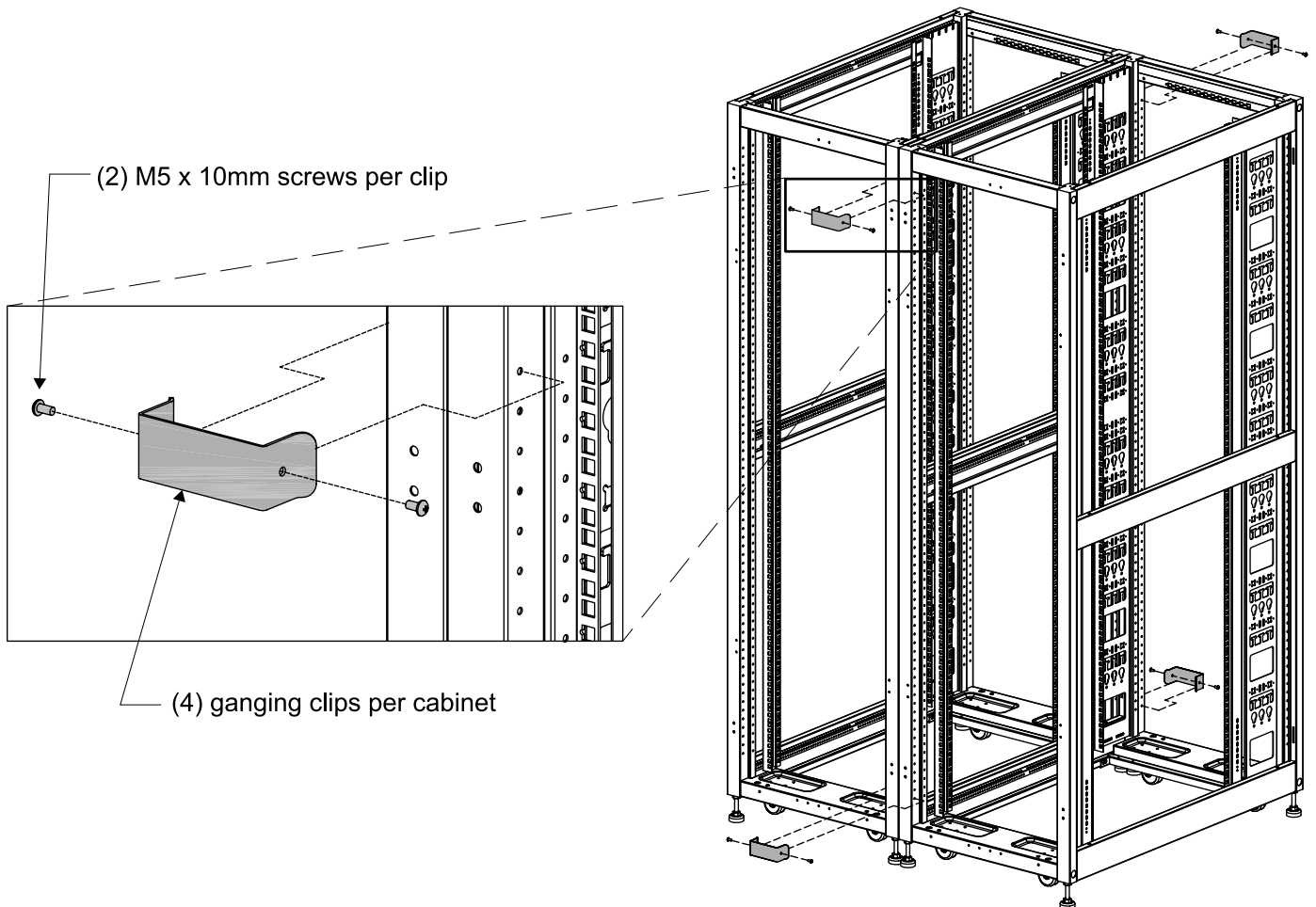
* Including doors

Ganging

WARNING: Ganging of cabinets provides limited stability and is not a substitute for proper leveling and anchoring to the floor.

NOTE: Item # RAGAN04 Ganging Kit is required to gang two cabinets together (sold separately).

1. Cabinets can be ganged together with or without side panels installed.
2. Ensure cabinets are level and anchored to the floor before ganging.
3. If installed, remove the front and rear doors (see instructions for removing doors on page 13).
4. Install (2) ganging brackets on the front posts and (2) on the rear posts, using (2) M5 screws to secure each bracket. One bracket should be installed towards the top of the cabinet and the other towards the bottom.
5. Replace doors if removed.

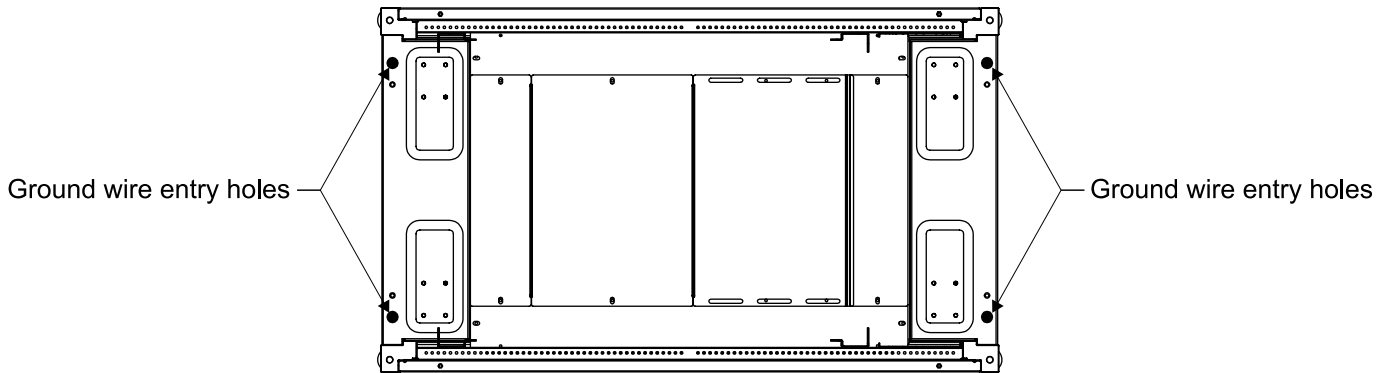


Grounding

WARNING: Electrical Shock Hazard

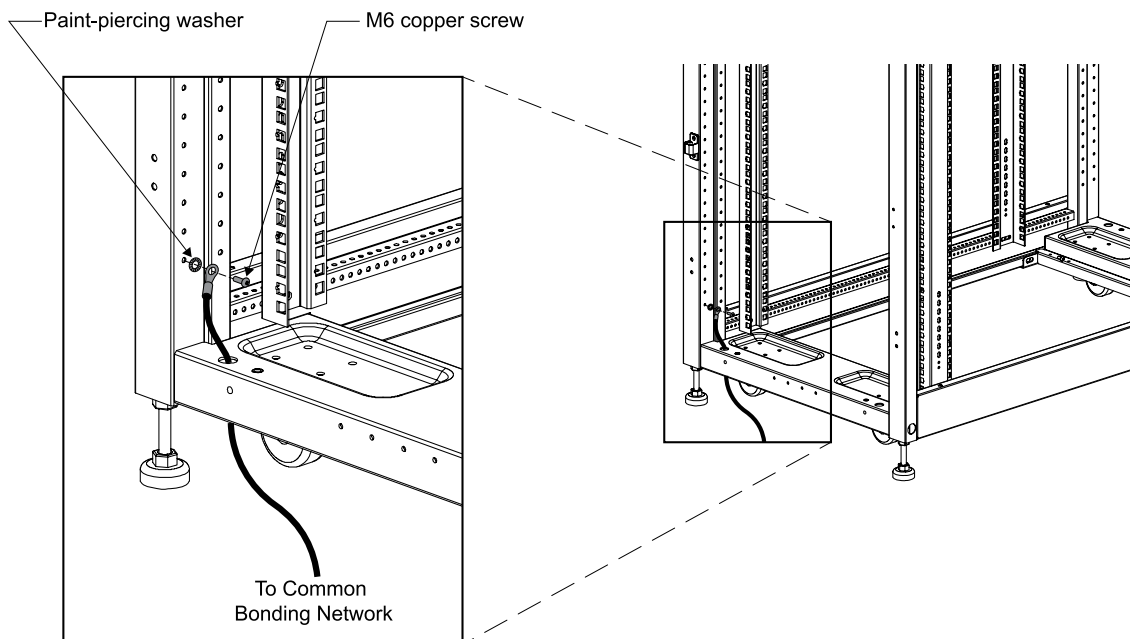
Each cabinet must be connected to the Common Bonding Network (CBN) separately – do not daisy-chain. Do not use the cabinet without an earth ground connection.

1. There are four 16mm cable entry holes in the bottom of the cabinet frame (*one in each corner*). Select the location that is most appropriate for your installation, remove the plastic plug, and route the ground wire (*not included*) up through the hole from below the cabinet.



NOTE: Select the ground wire conductor size based on guidance from national and local electrical codes and install according to those codes.

2. Attach the ground wire to the cabinet frame as shown below using the included M6 copper screw. Be sure to install the included paint piercing washer between the ground terminal and the cabinet frame, or alternatively remove the paint on the frame under the ground terminal, as per NEC NFPA 70 Article 250.12.
3. Torque the screw to 8 N-m (70 lb-in).
4. Place the included yellow ground symbol label on the cabinet frame next to the ground location.



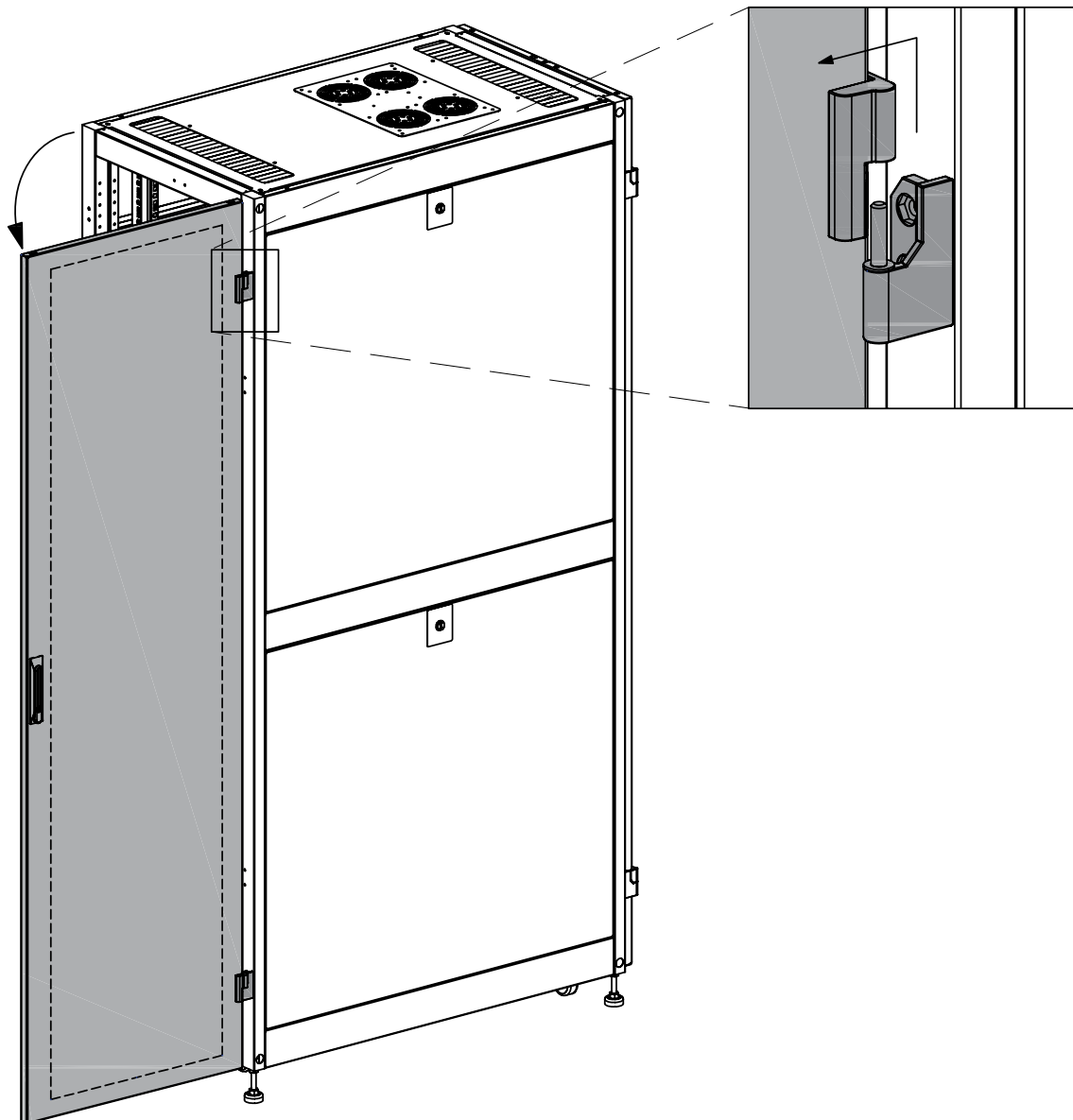
CONFIGURATION

The VC5 Series Cabinet is designed for flexibility and can be configured to meet a wide variety of application requirements.

Removing and Installing Doors

1. Open the door a minimum of 90°.
2. Disconnect the door's ground wire.
3. Lift the door off the hinges and move it away from the cabinet.
4. Reverse steps 1-3 to reinstall the door.

NOTE: The top hinge pin is longer than the lower pins. When reinstalling the door, align the top hinge pin with the top door hinge first, then align the lower pins and hinges.

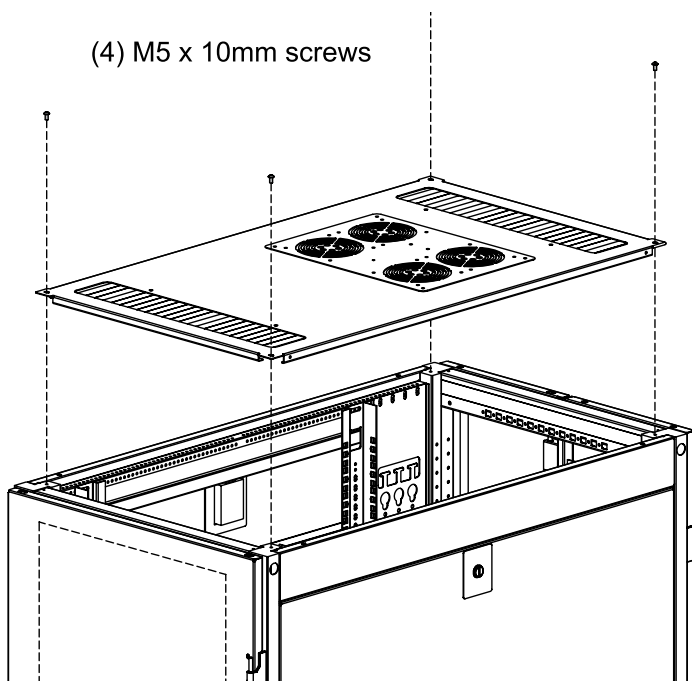
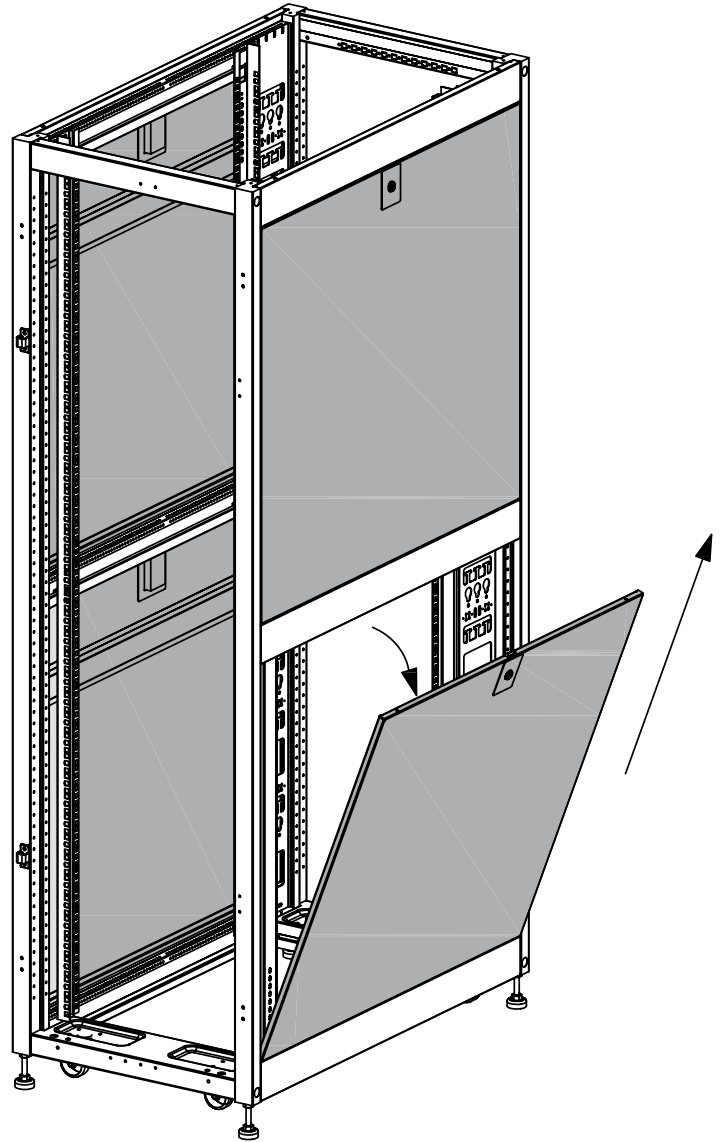


5. Refer to separate instructions for reversing the swing of a single door.

Removing and Installing Side Panels

VC5 Series Cabinets include (4) side panels that are easily removable.

1. Use the key to unlock the side panel.
2. Disconnect the panel's ground wire.
3. Lift up on the lock latch and tilt the panel away from the cabinet.
4. Lift up on the panel and move away from the cabinet.
5. Reverse steps 1-4 to reinstall the side panel.



(4) M5 x 10mm screws

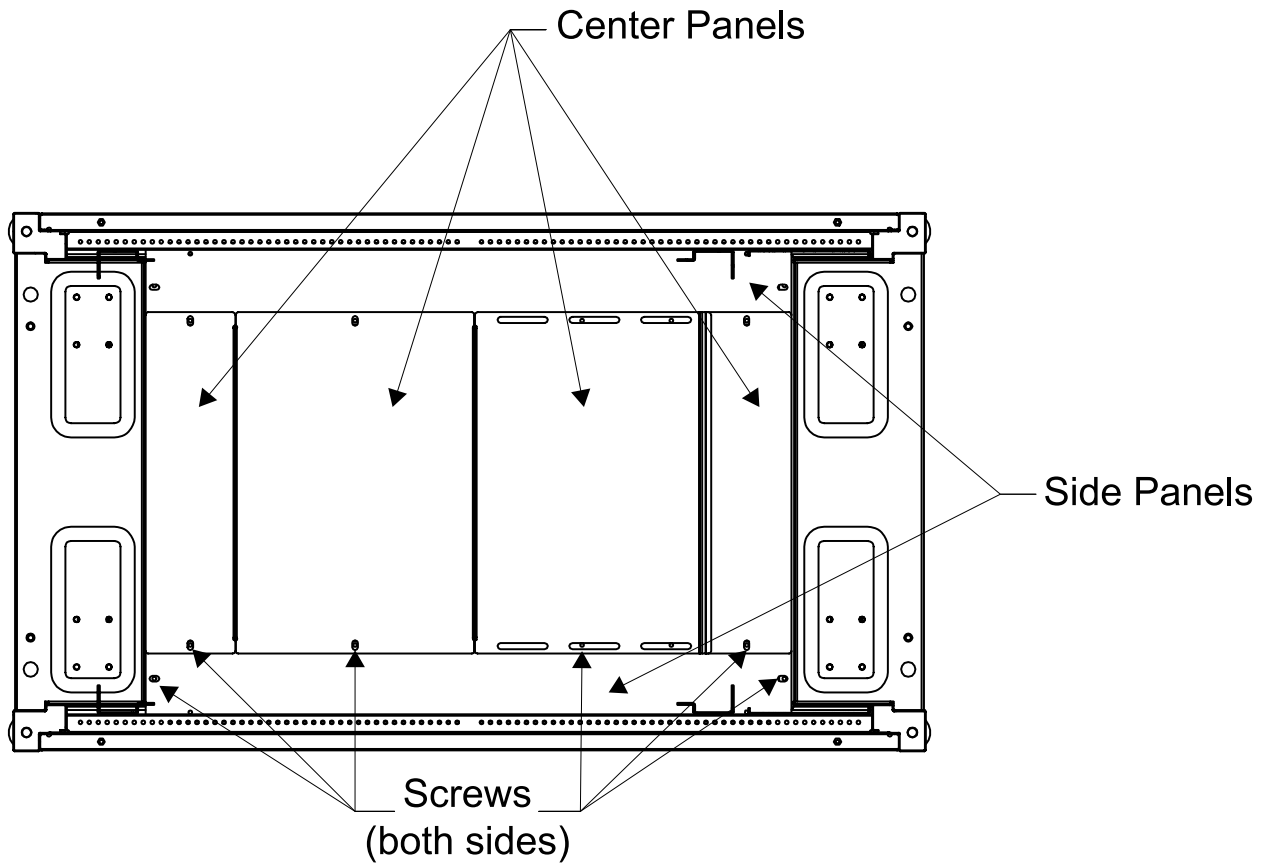
Removing and Installing the Top Panel

1. Use a Phillips screwdriver to remove the (4) screws securing the top panel to the cabinet frame (*one in each corner*).
2. Lift off the top panel.
3. Reverse steps 1-2 to reinstall the top panel.

Removing and Installing the Bottom Panel

The standard configuration of the VC5 Series Cabinet includes a bottom panel consisting of three or four center panels (depending on the depth of the cabinet) and two side panels that run the entire depth of the cabinet. Each center panel can be removed individually, or the entire bottom can be removed. To remove the entire bottom:

1. Use a Phillips screwdriver to remove the two screws that secure each center panel to the side panels. Lift off each center panel and set aside.
2. Remove the two screws that secure each side panel to cabinet frame.
3. Carefully lift the side panel enough to slide it out from under the mounting rails.



Adjusting Mounting Rail Position

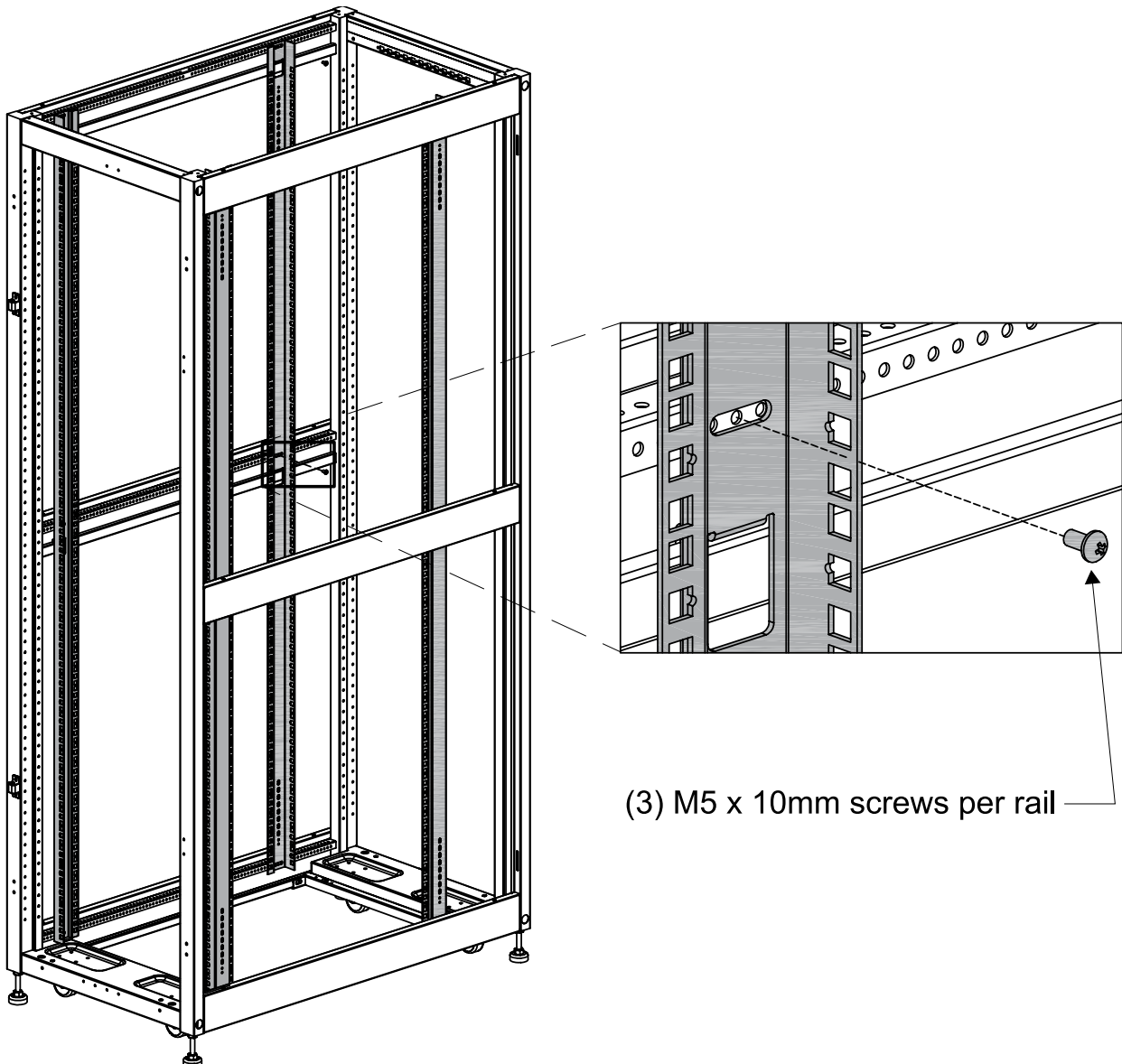
VC5 Series Cabinets include two sets of preinstalled mounting rails that can be infinitely adjusted front to back.

WARNING: Do not attempt to adjust rail position with equipment installed.

NOTE: Each rail must remain perpendicular to the cross members of the side frame after adjustment. In addition, both front rails must be the same distance from the front of the cabinet, and both rear rails must be the same distance from the rear of the cabinet. Failure to maintain these parameters will make equipment and accessory installation very difficult.

24" (600mm) wide cabinets:

1. Each mounting rail is secured to the side frame at the top, middle, and bottom with a M5 screw. Remove these three screws using a Phillips screwdriver.
2. Slide the mounting rail into the desired position. Measure the distance from the rail to the outside of the cabinet frame at the top and bottom of the rail to ensure perpendicular positioning.
3. Install the three M5 screws to secure the mounting rail to the frame.

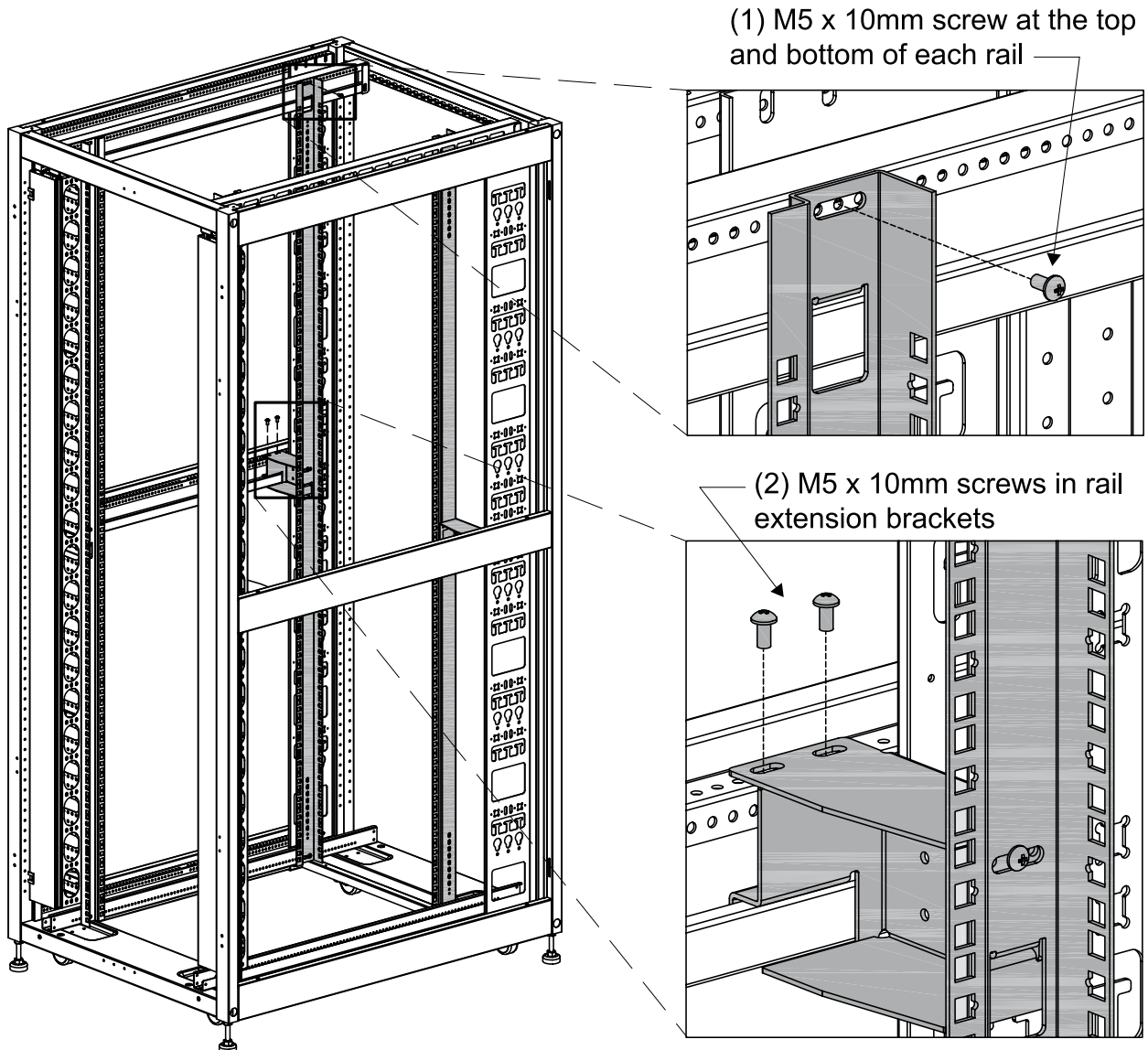


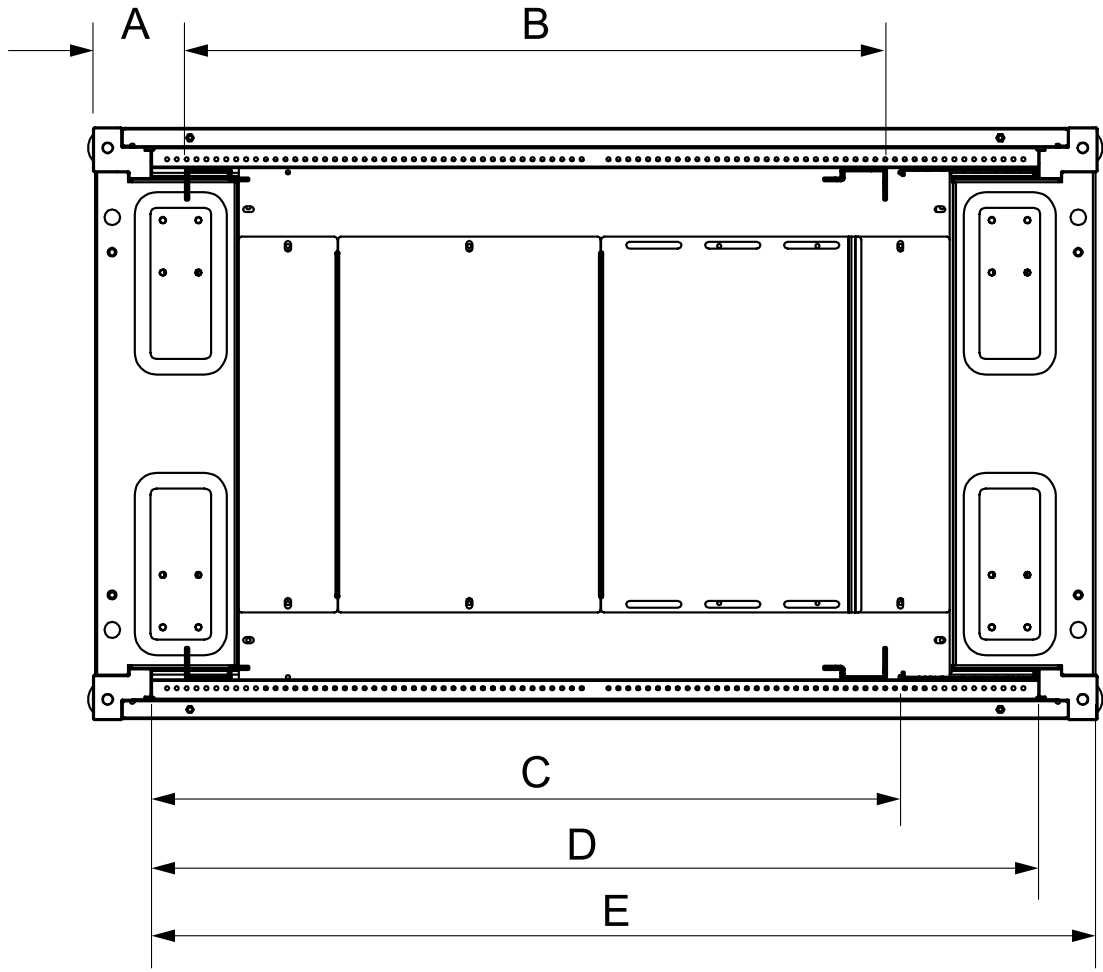
29.5" (750mm) and 31.5" (800mm) wide cabinets:

1. Remove the M5 screws at the top and bottom of the mounting rail.
2. Remove the two M5 screws from the top edge of the rail extension bracket.
3. Slide the mounting rail into the desired position. Measure the distance from the rail to the outside of the cabinet frame at the top and bottom of the rail to ensure perpendicular positioning.

NOTE: Mounting positions on the side frame cross members are numbered to help you position left and right mounting rails at the same depth.

4. Install the four M5 screws to secure the mounting rail and rail extension bracket to the side frame.





CABINET DEPTH	A	B	C	D	E
31.5 in. (800 mm)	2.5 in. (64 mm)	19.5 in. (495 mm)	19.5 in. (495 mm)	24.5 in. (623 mm)	27.0 in. (686 mm)
35.4 in. (900 mm)	2.5 in. (64 mm)	23.5 in. (597 mm)	23.5 in. (597 mm)	28.5 in. (723 mm)	31.0 in. (787 mm)
39.4 in. (1000 mm)	2.5 in. (64 mm)	27.4 in. (696 mm)	27.4 in. (696 mm)	32.4 in. (823 mm)	34.9 in. (886 mm)
42.0 in. (1067 mm)	4.0 in. (101 mm)	29.0 in. (737 mm)	30.0 in. (762 mm)	35.0 in. (889 mm)	37.5 in. (953 mm)
43.3 in. (1100 mm)	4.0 in. (101 mm)	29.0 in. (737 mm)	31.3 in. (795 mm)	36.3 in. (923 mm)	38.8 in. (983 mm)
47.2 in. (1200 mm)	4.0 in. (101 mm)	29.0 in. (737 mm)	35.3 in. (897 mm)	40.3 in. (1023 mm)	42.8 in. (1087 mm)

A= Rail Depth (factory setting)

B= Rail Depth (factory setting)

C= Maximum Rail Depth (with lacing panel installed)

D= Maximum Rail Depth (without lacing panel installed)

E= Maximum Usable Depth (to rear door)

NOTE: To adjust the position of the zero-U lacing panels pre-installed in the rear corners of the cabinet, follow the same procedure used to adjust the position of the mounting rails.

EQUIPMENT INSTALLATION

WARNING

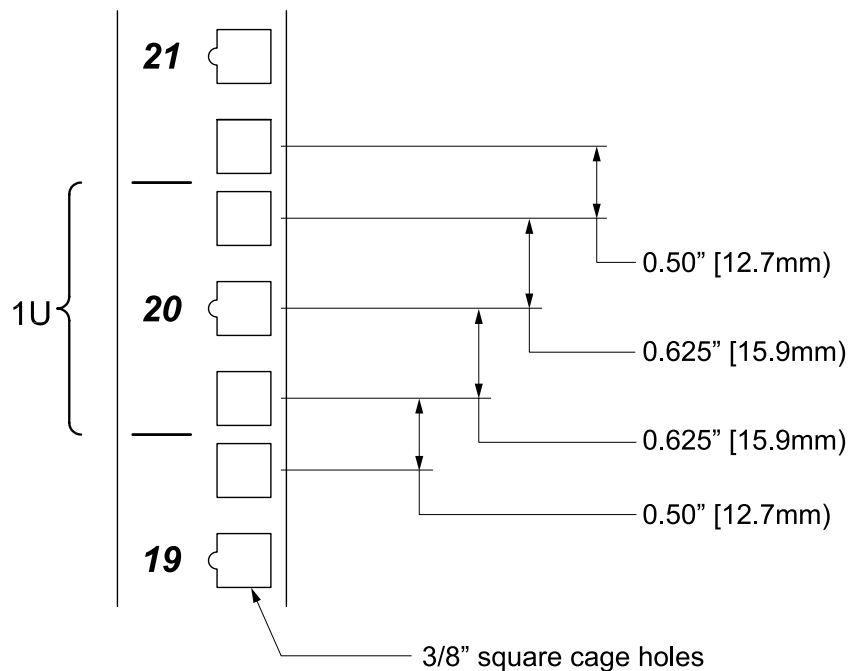
- This cabinet can easily tip. Do not install equipment until you have anchored the cabinet to the floor.
- Install heavier equipment first and toward the bottom of the cabinet to prevent it from becoming top-heavy.
- Install equipment from the bottom up and never from the top down.
- Do not extend more than one piece of equipment on sliding rails at a time.
- Review and follow all equipment manufacturer's installation instructions.

NOTES:

- Provide the minimum spacing between the accessories/components and the housing. Maintain this spacing for safe operation of the equipment when installed in accordance with the National Electric Code, ANSI/NFPA 70.
- As appropriate, all wiring and equipment should be installed in accordance with NFPA 70, "National Electrical Code", and the applicable sections of ANSI C2, "National Electrical Safety Code".
- The maximum operating temperature is 50°C (122°F).

Rack Units:

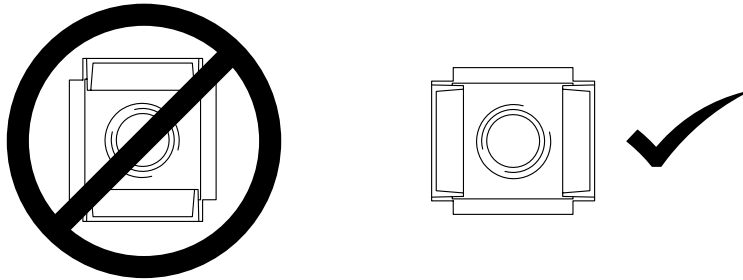
Rack mount units (U) are printed on the mounting rails to simplify installation of equipment and accessories. Each U space consists of three (3) square holes; the center hole includes a small notch and is marked with the U number. Be sure to align the equipment with the same U space on each side of the cabinet.



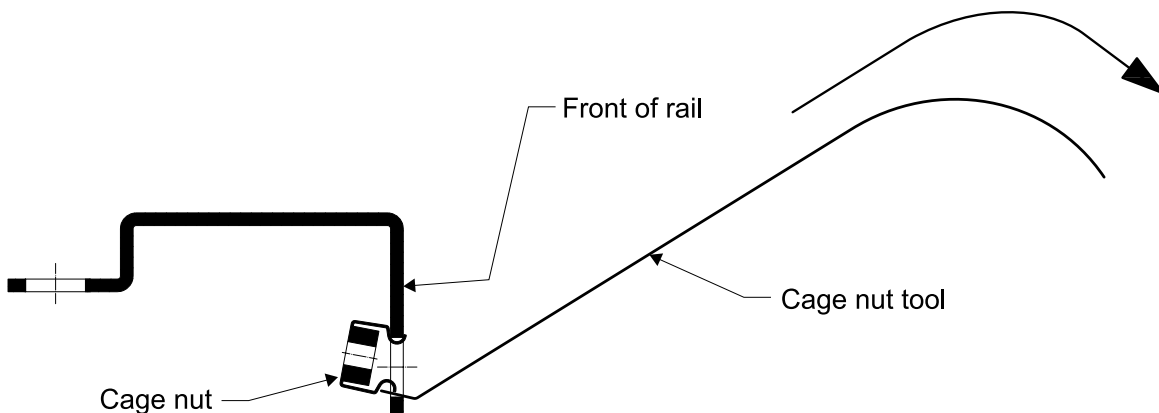
Cage Nuts:

This cabinet includes a pack of 50 cage nuts and 50 corresponding 10-32 screws. Should you need additional quantities, please contact your distributor or Vericom representative

WARNING: Install cage nuts horizontally with the flanges engaging the sides of the square hole. Never install them vertically.



1. From the inside of the mounting rail, insert one of the flanges of the cage nut through the square hole and push against the side of the hole.
2. From the front of the mounting rail, insert the narrow end of the supplied cage nut tool through the hole and hook the second flange of the cage nut.
3. Pull the cage nut tool through the mounting rail hole until the second flange of the cage nut comes through the hole and snaps onto the side of the hole. When properly installed, both flanges of the cage nut should be visible from the front of the mounting rail.



4. Install all required cage nuts before installing equipment. Use the supplied 10-32 screws and washers to secure equipment to the mounting rails.
5. To remove cage nuts, use the narrow end of the cage nut tool to pry one of the flanges inward and then push back until the cage nut pops out of the square hole.

SPECIFICATIONS

Maximum Load Capacity: 3,000 lbs. (1360 kgs)

For detailed dimensions refer to VC5 specification drawings.

MODEL	Height (frame only)	Height (with casters)	Width	Depth (with doors)	Depth (frame only)
VC5-6842- xxxxx	78.66 in. (1998.0 mm)	80.96 in. (2056.5 mm)	23.62 in. (600 mm)	31.50 in. (800 mm)	29.54 in. (750 mm)
VC5-6845- xxxxx	83.94 in. (2132.0 mm)	86.24 in. (2190.5 mm)	23.62 in. (600 mm)	31.50 in. (800 mm)	29.54 in. (750 mm)
VC5-6942- xxxxx	78.66 in. (1998.0 mm)	80.96 in. (2056.5 mm)	23.62 in. (600 mm)	35.43 in. (900 mm)	33.47 in. (850 mm)
VC5-6945- xxxxx	83.94 in. (2132.0 mm)	86.24 in. (2190.5 mm)	23.62 in. (600 mm)	35.43 in. (900 mm)	33.47 in. (850 mm)
VC5-6947- xxxxx	87.42 in. (2220.5 mm)	89.72 in. (2278.9 mm)	23.62 in. (600 mm)	35.43 in. (900 mm)	33.47 in. (850 mm)
VC5-6948- xxxxx	89.17 in. (2264.8 mm)	91.47 in. (2323.3 mm)	23.62 in. (600 mm)	35.43 in. (900 mm)	33.47 in. (850 mm)
VC5-6952- xxxxx	96.17 in. (2442.7 mm)	98.47 in. (2501.1 mm)	23.62 in. (600 mm)	35.43 in. (900 mm)	33.47 in. (850 mm)
VC5-6042- xxxxx	78.66 in. (1998.0 mm)	80.96 in. (2056.5 mm)	23.62 in. (600 mm)	39.37 in. (1000 mm)	37.41 in. (950 mm)
VC5-6045- xxxxx	83.94 in. (2132.0 mm)	86.24 in. (2190.5 mm)	23.62 in. (600 mm)	39.37 in. (1000 mm)	37.41 in. (950 mm)
VC5-6047- xxxxx	87.42 in. (2220.5 mm)	89.72 in. (2278.9 mm)	23.62 in. (600 mm)	39.37 in. (1000 mm)	37.41 in. (950 mm)
VC5-6048- xxxxx	89.17 in. (2264.8 mm)	91.47 in. (2323.3 mm)	23.62 in. (600 mm)	39.37 in. (1000 mm)	37.41 in. (950 mm)
VC5-6052- xxxxx	96.17 in. (2442.7 mm)	98.47 in. (2501.1 mm)	23.62 in. (600 mm)	39.37 in. (1000 mm)	37.41 in. (950 mm)
VC5-6A24- xxxxx	47.16 in. (1197.9 mm)	49.46 in. (1256.4 mm)	23.62 in. (600 mm)	42.0 in. (1067 mm)	40.04 in. (1017 mm)
VC5-6A42- xxxxx	78.66 in. (1998.0 mm)	80.96 in. (2056.5 mm)	23.62 in. (600 mm)	42.0 in. (1067 mm)	40.04 in. (1017 mm)
VC5-6A45- xxxxx	83.94 in. (2132.0 mm)	86.24 in. (2190.5 mm)	23.62 in. (600 mm)	42.0 in. (1067 mm)	40.04 in. (1017 mm)
VC5-6A47- xxxxx	87.42 in. (2220.5 mm)	89.72 in. (2278.9 mm)	23.62 in. (600 mm)	42.0 in. (1067 mm)	40.04 in. (1017 mm)
VC5-6A48- xxxxx	89.17 in. (2264.8 mm)	91.47 in. (2323.3 mm)	23.62 in. (600 mm)	42.0 in. (1067 mm)	40.04 in. (1017 mm)
VC5-6A52- xxxxx	96.17 in. (2442.7 mm)	98.47 in. (2501.1 mm)	23.62 in. (600 mm)	42.0 in. (1067 mm)	40.04 in. (1017 mm)
VC5-6124- xxxxx	47.16 in. (1197.9 mm)	49.46 in. (1256.4 mm)	23.62 in. (600 mm)	43.3 in. (1100 mm)	41.34 in. (1050 mm)
VC5-6142- xxxxx	78.66 in. (1998.0 mm)	80.96 in. (2056.5 mm)	23.62 in. (600 mm)	43.3 in. (1100 mm)	41.34 in. (1050 mm)
VC5-6145- xxxxx	83.94 in. (2132.0 mm)	86.24 in. (2190.5 mm)	23.62 in. (600 mm)	43.3 in. (1100 mm)	41.34 in. (1050 mm)
VC5-6147- xxxxx	87.42 in. (2220.5 mm)	89.72 in. (2278.9 mm)	23.62 in. (600 mm)	43.3 in. (1100 mm)	41.34 in. (1050 mm)
VC5-6148- xxxxx	89.17 in. (2264.8 mm)	91.47 in. (2323.3 mm)	23.62 in. (600 mm)	43.3 in. (1100 mm)	41.34 in. (1050 mm)

MODEL	Height (frame only)	Height (with casters)	Width	Depth (with doors)	Depth (frame only)
VC5-6152- xxxxx	96.17 in. (2442.7 mm)	98.47 in. (2501.1 mm)	23.62 in. (600 mm)	43.3 in. (1100 mm)	41.34 in. (1050 mm)
VC5-6224- xxxxx	47.16 in. (1197.9 mm)	49.46 in. (1256.4 mm)	23.62 in. (600 mm)	47.24 in. (1200 mm)	45.28 in. (1150 mm)
VC5-6242- xxxxx	78.66 in. (1998.0 mm)	80.96 in. (2056.5 mm)	23.62 in. (600 mm)	47.24 in. (1200 mm)	45.28 in. (1150 mm)
VC5-6245- xxxxx	83.94 in. (2132.0 mm)	86.24 in. (2190.5 mm)	23.62 in. (600 mm)	47.24 in. (1200 mm)	45.28 in. (1150 mm)
VC5-6247- xxxxx	87.42 in. (2220.5 mm)	89.72 in. (2278.9 mm)	23.62 in. (600 mm)	47.24 in. (1200 mm)	45.28 in. (1150 mm)
VC5-6248- xxxxx	89.17 in. (2264.8 mm)	91.47 in. (2323.3 mm)	23.62 in. (600 mm)	47.24 in. (1200 mm)	45.28 in. (1150 mm)
VC5-6252- xxxxx	96.17 in. (2442.7 mm)	98.47 in. (2501.1 mm)	23.62 in. (600 mm)	47.24 in. (1200 mm)	45.28 in. (1150 mm)
VC5-7842- xxxxx	78.66 in. (1998.0 mm)	80.96 in. (2056.5 mm)	29.53 in. (750 mm)	47.24 in. (1200 mm)	45.28 in. (1150 mm)
VC5-7845- xxxxx	83.94 in. (2132.0 mm)	86.24 in. (2190.5 mm)	29.53 in. (750 mm)	31.50 in. (800 mm)	29.54 in. (750 mm)
VC5-7942- xxxxx	78.66 in. (1998.0 mm)	80.96 in. (2056.5 mm)	29.53 in. (750 mm)	35.43 in. (900 mm)	33.47 in. (850 mm)
VC5-7945- xxxxx	83.94 in. (2132.0 mm)	86.24 in. (2190.5 mm)	29.53 in. (750 mm)	35.43 in. (900 mm)	33.47 in. (850 mm)
VC5-7947- xxxxx	87.42 in. (2220.5 mm)	89.72 in. (2278.9 mm)	29.53 in. (750 mm)	35.43 in. (900 mm)	33.47 in. (850 mm)
VC5-7948- xxxxx	89.17 in. (2264.8 mm)	91.47 in. (2323.3 mm)	29.53 in. (750 mm)	35.43 in. (900 mm)	33.47 in. (850 mm)
VC5-7952- xxxxx	96.17 in. (2442.7 mm)	98.47 in. (2501.1 mm)	29.53 in. (750 mm)	35.43 in. (900 mm)	33.47 in. (850 mm)
VC5-7042- xxxxx	78.66 in. (1998.0 mm)	80.96 in. (2056.5 mm)	29.53 in. (750 mm)	39.37 in. (1000 mm)	37.41 in. (950 mm)
VC5-7045- xxxxx	83.94 in. (2132.0 mm)	86.24 in. (2190.5 mm)	29.53 in. (750 mm)	39.37 in. (1000 mm)	37.41 in. (950 mm)
VC5-7047- xxxxx	87.42 in. (2220.5 mm)	89.72 in. (2278.9 mm)	29.53 in. (750 mm)	39.37 in. (1000 mm)	37.41 in. (950 mm)
VC5-7048- xxxxx	89.17 in. (2264.8 mm)	91.47 in. (2323.3 mm)	29.53 in. (750 mm)	39.37 in. (1000 mm)	37.41 in. (950 mm)
VC5-7052- xxxxx	96.17 in. (2442.7 mm)	98.47 in. (2501.1 mm)	29.53 in. (750 mm)	39.37 in. (1000 mm)	37.41 in. (950 mm)
VC5-7A24- xxxxx	47.16 in. (1197.9 mm)	49.46 in. (1256.4 mm)	29.53 in. (750 mm)	42.0 in. (1067 mm)	40.04 in. (1017 mm)
VC5-7A42- xxxxx	78.66 in. (1998.0 mm)	80.96 in. (2056.5 mm)	29.53 in. (750 mm)	42.0 in. (1067 mm)	40.04 in. (1017 mm)
VC5-7A45- xxxxx	83.94 in. (2132.0 mm)	86.24 in. (2190.5 mm)	29.53 in. (750 mm)	42.0 in. (1067 mm)	40.04 in. (1017 mm)
VC5-7A47- xxxxx	87.42 in. (2220.5 mm)	89.72 in. (2278.9 mm)	29.53 in. (750 mm)	42.0 in. (1067 mm)	40.04 in. (1017 mm)
VC5-7A48- xxxxx	89.17 in. (2264.8 mm)	91.47 in. (2323.3 mm)	29.53 in. (750 mm)	42.0 in. (1067 mm)	40.04 in. (1017 mm)
VC5-7A52- xxxxx	96.17 in. (2442.7 mm)	98.47 in. (2501.1 mm)	29.53 in. (750 mm)	42.0 in. (1067 mm)	40.04 in. (1017 mm)
VC5-7124- xxxxx	47.16 in. (1197.9 mm)	49.46 in. (1256.4 mm)	29.53 in. (750 mm)	43.3 in. (1100 mm)	41.34 in. (1050 mm)

MODEL	Height (frame only)	Height (with casters)	Width	Depth (with doors)	Depth (frame only)
VC5-7142- xxxxx	78.66 in. (1998.0 mm)	80.96 in. (2056.5 mm)	29.53 in. (750 mm)	43.3 in. (1100 mm)	41.34 in. (1050 mm)
VC5-7145- xxxxx	83.94 in. (2132.0 mm)	86.24 in. (2190.5 mm)	29.53 in. (750 mm)	43.3 in. (1100 mm)	41.34 in. (1050 mm)
VC5-7147- xxxxx	87.42 in. (2220.5 mm)	89.72 in. (2278.9 mm)	29.53 in. (750 mm)	43.3 in. (1100 mm)	41.34 in. (1050 mm)
VC5-7148- xxxxx	89.17 in. (2264.8 mm)	91.47 in. (2323.3 mm)	29.53 in. (750 mm)	43.3 in. (1100 mm)	41.34 in. (1050 mm)
VC5-7152- xxxxx	96.17 in. (2442.7 mm)	98.47 in. (2501.1 mm)	29.53 in. (750 mm)	43.3 in. (1100 mm)	41.34 in. (1050 mm)
VC5-7224- xxxxx	47.16 in. (1197.9 mm)	49.46 in. (1256.4 mm)	29.53 in. (750 mm)	47.24 in. (1200 mm)	45.28 in. (1150 mm)
VC5-7242- xxxxx	78.66 in. (1998.0 mm)	80.96 in. (2056.5 mm)	29.53 in. (750 mm)	47.24 in. (1200 mm)	45.28 in. (1150 mm)
VC5-7245- xxxxx	83.94 in. (2132.0 mm)	86.24 in. (2190.5 mm)	29.53 in. (750 mm)	47.24 in. (1200 mm)	45.28 in. (1150 mm)
VC5-7247- xxxxx	87.42 in. (2220.5 mm)	89.72 in. (2278.9 mm)	29.53 in. (750 mm)	47.24 in. (1200 mm)	45.28 in. (1150 mm)
VC5-7248- xxxxx	89.17 in. (2264.8 mm)	91.47 in. (2323.3 mm)	29.53 in. (750 mm)	47.24 in. (1200 mm)	45.28 in. (1150 mm)
VC5-7252- xxxxx	96.17 in. (2442.7 mm)	98.47 in. (2501.1 mm)	29.53 in. (750 mm)	47.24 in. (1200 mm)	45.28 in. (1150 mm)
VC5-7952- xxxxx	89.17 in. (2264.8 mm)	98.47 in. (2501.1 mm)	29.53 in. (750 mm)	47.24 in. (1200 mm)	45.28 in. (1150 mm)
VC5-8842- xxxxx	78.66 in. (1998.0 mm)	80.96 in. (2056.5 mm)	31.50 in. (800 mm)	31.50 in. (800 mm)	29.54 in. (750 mm)
VC5-8845- xxxxx	83.94 in. (2132.0 mm)	86.24 in. (2190.5 mm)	31.50 in. (800 mm)	31.50 in. (800 mm)	29.54 in. (750 mm)
VC5-8942- xxxxx	78.66 in. (1998.0 mm)	80.96 in. (2056.5 mm)	31.50 in. (800 mm)	35.43 in. (900 mm)	33.47 in. (850 mm)
VC5-8945- xxxxx	83.94 in. (2132.0 mm)	86.24 in. (2190.5 mm)	31.50 in. (800 mm)	35.43 in. (900 mm)	33.47 in. (850 mm)
VC5-8947- xxxxx	87.42 in. (2220.5 mm)	89.72 in. (2278.9 mm)	31.50 in. (800 mm)	35.43 in. (900 mm)	33.47 in. (850 mm)
VC5-8948- xxxxx	89.17 in. (2264.8 mm)	91.47 in. (2323.3 mm)	31.50 in. (800 mm)	35.43 in. (900 mm)	33.47 in. (850 mm)
VC5-8952- xxxxx	96.17 in. (2442.7 mm)	98.47 in. (2501.1 mm)	31.50 in. (800 mm)	35.43 in. (900 mm)	33.47 in. (850 mm)
VC5-8042- xxxxx	78.66 in. (1998.0 mm)	80.96 in. (2056.5 mm)	31.50 in. (800 mm)	39.37 in. (1000 mm)	37.41 in. (950 mm)
VC5-8045- xxxxx	83.94 in. (2132.0 mm)	86.24 in. (2190.5 mm)	31.50 in. (800 mm)	39.37 in. (1000 mm)	37.41 in. (950 mm)
VC5-8047- xxxxx	87.42 in. (2220.5 mm)	89.72 in. (2278.9 mm)	31.50 in. (800 mm)	39.37 in. (1000 mm)	37.41 in. (950 mm)
VC5-8048- xxxxx	89.17 in. (2264.8 mm)	91.47 in. (2323.3 mm)	31.50 in. (800 mm)	39.37 in. (1000 mm)	37.41 in. (950 mm)
VC5-8052- xxxxx	96.17 in. (2442.7 mm)	98.47 in. (2501.1 mm)	31.50 in. (800 mm)	39.37 in. (1000 mm)	37.41 in. (950 mm)
VC5-8A24- xxxxx	47.16 in. (1197.9 mm)	49.46 in. (1256.4 mm)	31.50 in. (800 mm)	42.0 in. (1067 mm)	40.04 in. (1017 mm)
VC5-8A42- xxxxx	78.66 in. (1998.0 mm)	80.96 in. (2056.5 mm)	31.50 in. (800 mm)	42.0 in. (1067 mm)	40.04 in. (1017 mm)

MODEL	Height (frame only)	Height (with casters)	Width	Depth (with doors)	Depth (frame only)
VC5-8A45- xxxxx	83.94 in. (2132.0 mm)	86.24 in. (2190.5 mm)	31.50 in. (800 mm)	42.0 in. (1067 mm)	40.04 in. (1017 mm)
VC5-8A47- xxxxx	87.42 in. (2220.5 mm)	89.72 in. (2278.9 mm)	31.50 in. (800 mm)	42.0 in. (1067 mm)	40.04 in. (1017 mm)
VC5-8A48- xxxxx	89.17 in. (2264.8 mm)	91.47 in. (2323.3 mm)	31.50 in. (800 mm)	42.0 in. (1067 mm)	40.04 in. (1017 mm)
VC5-8A52- xxxxx	96.17 in. (2442.7 mm)	98.47 in. (2501.1 mm)	31.50 in. (800 mm)	42.0 in. (1067 mm)	40.04 in. (1017 mm)
VC5-8124- xxxxx	47.16 in. (1197.9 mm)	49.46 in. (1256.4 mm)	31.50 in. (800 mm)	43.3 in. (1100 mm)	41.34 in. (1050 mm)
VC5-8142- xxxxx	78.66 in. (1998.0 mm)	80.96 in. (2056.5 mm)	31.50 in. (800 mm)	43.3 in. (1100 mm)	41.34 in. (1050 mm)
VC5-8145- xxxxx	83.94 in. (2132.0 mm)	86.24 in. (2190.5 mm)	31.50 in. (800 mm)	43.3 in. (1100 mm)	41.34 in. (1050 mm)
VC5-8147- xxxxx	87.42 in. (2220.5 mm)	89.72 in. (2278.9 mm)	31.50 in. (800 mm)	43.3 in. (1100 mm)	41.34 in. (1050 mm)
VC5-8148- xxxxx	89.17 in. (2264.8 mm)	91.47 in. (2323.3 mm)	31.50 in. (800 mm)	43.3 in. (1100 mm)	41.34 in. (1050 mm)
VC5-8152- xxxxx	96.17 in. (2442.7 mm)	98.47 in. (2501.1 mm)	31.50 in. (800 mm)	43.3 in. (1100 mm)	41.34 in. (1050 mm)
VC5-8224- xxxxx	47.16 in. (1197.9 mm)	49.46 in. (1256.4 mm)	31.50 in. (800 mm)	47.24 in. (1200 mm)	45.28 in. (1150 mm)
VC5-8242- xxxxx	78.66 in. (1998.0 mm)	80.96 in. (2056.5 mm)	31.50 in. (800 mm)	47.24 in. (1200 mm)	45.28 in. (1150 mm)
VC5-8245- xxxxx	83.94 in. (2132.0 mm)	86.24 in. (2190.5 mm)	31.50 in. (800 mm)	47.24 in. (1200 mm)	45.28 in. (1150 mm)
VC5-8247- xxxxx	87.42 in. (2220.5 mm)	89.72 in. (2278.9 mm)	31.50 in. (800 mm)	47.24 in. (1200 mm)	45.28 in. (1150 mm)
VC5-8248- xxxxx	89.17 in. (2264.8 mm)	91.47 in. (2323.3 mm)	31.50 in. (800 mm)	47.24 in. (1200 mm)	45.28 in. (1150 mm)
VC5-8252- xxxxx	96.17 in. (2442.7 mm)	98.47 in. (2501.1 mm)	31.50 in. (800 mm)	47.24 in. (1200 mm)	45.28 in. (1150 mm)

NOTE: Not all models are available in all regions. Please contact your Vericom representative for additional information.

OPTIONAL ACCESSORIES

Vericom offers a wide variety of accessories to further customize the VC5 Cabinet Series and expand its capabilities. Contact your distributor or Vericom representative for additional information and availability.

CABLE MANAGEMENT			
RALPK42	Lacing Panel Kit w/Plastic Rings, 42U	RAMSRG1	Steel Ring Cable Manager, 1U
RALPK45	Lacing Panel Kit w/Plastic Rings, 45U	RAMSFD1	Horizontal Finger Duct Cable Manager (steel), 1U
RALPK48	Lacing Panel Kit w/Plastic Rings, 48U	RAMS5D1	Horizontal D-Ring Cable Manager (steel) 1U
RALPK52	Lacing Panel Kit w/Plastic Rings, 52U	RAMS5D2	Horizontal D-Ring Cable Manager (steel) 2U
RAMVT42	Vertical Trough Cable Manager, 42U	RAMP5D1	Horizontal D-Ring Cable Manager (plastic) 1U
RAMVT45	Vertical Trough Cable Manager, 45U	RAMP5D2	Horizontal D-Ring Cable Manager (plastic) 1U
RAMVT48	Vertical Trough Cable Manager, 48U	RAMPFD1	Horizontal Finger Duct Cable Manager (plastic), 1U
RAMVT52	Vertical Trough Cable Manager, 52U	RAMPFD2	Horizontal Finger Duct Cable Manager (plastic), 1U
RAMVF42	Vertical Finger Duct Cable Manager, 42U x 3"W	RAMDFD2	Horizontal Double Finger Duct Cable Manager (plastic), 2U
RAMVF45	Vertical Finger Duct Cable Manager, 45U x 3"W	RAVTB02	Lacing Bar, 2 pack
RAMVF48	Vertical Finger Duct Cable Manager, 48U x 3"W	RACT600	Cable Trough for 600mm cabinet
RAMVF52	Vertical Finger Duct Cable Manager, 52U x 3"W	RACT800	Cable Trough for 800mm cabinet

THERMAL MANAGEMENT			
RAFA842	Air Dam Kit w/Cable Management Fingers, 42U	RABPSV1	Vented Steel Blanking Panel, 1U
RAFA845	Air Dam Kit w/Cable Management Fingers, 45U	RABPSV2	Vented Steel Blanking Panel, 2U
RAFA848	Air Dam Kit w/Cable Management Fingers, 48U	RABPSV3	Vented Steel Blanking Panel, 3U
RAFA852	Air Dam Kit w/Cable Management Fingers, 52U	RABPSV4	Vented Steel Blanking Panel, 4U
RATSS01	Solid Top Panel Insert	RABPST1	Toolless Steel Blanking Panel, 1U
RABPSS1	Solid Steel Blanking Panel, 1U	RABPST2	Toolless Steel Blanking Panel, 2U
RABPSS2	Solid Steel Blanking Panel, 2U	RAMSBR1	Brush Filler Panel, 1U
RABPSS3	Solid Steel Blanking Panel, 3U	RAFNQ04	Top Mount Quad Fan, 300 CFM
RABPSS4	Solid Steel Blanking Panel, 4U	RAFNH01	Horizontal Rack Mount Quad Fan, 300 CFM
RABPSS6	Solid Steel Blanking Panel, 6U	RAFLT01	Filter Kit for 75 CFM Fan

STORAGE / SHELVES			
RASC122	12" Cantilever Shelf, 2U	RASF211	21.5" Fixed Shelf, 1U
RASC142	14" Cantilever Shelf, 2U	RASF281	28.5" Fixed Shelf, 1U
RASC162	16" Cantilever Shelf, 2U	RASS221	22" Sliding Shelf, 1U
RAVCS01	18" Cantilever Shelf, 1U	RADRW02	Locking Drawer, 2U
RAVCS02	18" Cantilever Shelf, 2U	RADRW03	Locking Drawer, 3U
RAVCS03	18" Cantilever Shelf, 3U		

HARDWARE & MOUNTING			
RAS3250	10-32 Mounting Screws, 50 pcs	RACAL25	2.5" Locking Caster, 2 pack
RAS2450	12-24 Mounting Screws, 50 pcs	RAKEY01	Extra Cabinet Keys
RASM650	M6 Mounting Screws, 50 pcs	FB42TH	Rails 10-32 tapped 4pc set 42U
RAC3250	10-32 Cage Nuts, 50 pcs	FB45TH	Rails 10-32 tapped 4pc set 45U
RAC2450	12-24 Cage Nuts, 50 pcs	FB48TH	Rails 10-32 tapped 4pc set 48U
RACM650	M6 Cage Nuts, 50 pcs	FB52TH	Rails 10-32 tapped 4pc set 52U
RAGAN04	Ganging Clip for Network & Server Cabinets, 4 pack	FB42CG	Rails Cage Hole 4pc set 42U
RALVL04	Adjustable leveler	FB45CG	Rails Cage Hole 4pc set 45U
RACAS20	2" Free Rolling Caster, 2 pack	FB48CG	Rails Cage Hole 4pc set 48U
RACAL20	2" Locking Caster, 2 pack	FB52CG	Rails Cage Hole 4pc set 52U
RACAS25	2.5" Free Rolling Caster, 2 pack		

DOORS			
VC5DA-6241	VC5 Full Panel Mesh Door, 24"W x 24U	VC5DD-6481	VC5 Solid Steel Door, 24"W x 48U
VC5DB-6241	VC5 Split Mesh Door, 24"W x 24U	VC5DE-6481	VC5 Acrylic Window Door, 24"W x 48U
VC5DC-6241	VC5 High Flow Mesh Door, 24"W x 24U	VC5DA-8421	VC5 Full Panel Mesh Door, 31.5"W x 42U
VC5DD-6241	VC5 Solid Steel Door, 24"W x 24U	VC5DB-8421	VC5 Split Mesh Door, 31.5"W x 42U
VC5DA-6421	VC5 Full Panel Mesh Door, 24"W x 42U	VC5DC-8421	VC5 High Flow Mesh Door, 31.5"W x 42U
VC5DB-6421	VC5 Split Mesh Door, 24"W x 42U	VC5DD-8421	VC5 Solid Steel Door, 31.5"W x 42U
VC5DC-6421	VC5 High Flow Mesh Door, 24"W x 42U	VC5DE-8421	VC5 Acrylic Window Door, 31.5"W x 42U
VC5DD-6421	VC5 Solid Steel Door, 24"W x 42U	VC5DF-8421	VC5 Glass Window Door, 31.5"W x 42U
VC5DE-6421	VC5 Acrylic Window Door, 24"W x 42U	VC5DA-8451	VC5 Full Panel Mesh Door, 31.5"W x 45U
VC5DF-6421	VC5 Glass Window Door, 24"W x 42U	VC5DB-8451	VC5 Split Mesh Door, 31.5"W x 45U
VC5DA-6451	VC5 Full Panel Mesh Door, 24"W x 45U	VC5DC-8451	VC5 High Flow Mesh Door, 31.5"W x 45U
VC5DB-6451	VC5 Split Mesh Door, 24"W x 45U	VC5DD-8451	VC5 Solid Steel Door, 31.5"W x 45U
VC5DC-6451	VC5 High Flow Mesh Door, 24"W x 45U	VC5DE-8451	VC5 Acrylic Window Door, 31.5"W x 45U
VC5DD-6451	VC5 Solid Steel Door, 24"W x 45U	VC5DF-8451	VC5 Glass Window Door, 31.5"W x 45U
VC5DE-6451	VC5 Acrylic Window Door, 24"W x 45U	VC5DA-8481	VC5 Full Panel Mesh Door, 31.5"W x 48U
VC5DF-6451	VC5 Glass Window Door, 24"W x 45U	VC5DB-8481	VC5 Split Mesh Door, 31.5"W x 48U
VC5DA-6481	VC5 Full Panel Mesh Door, 24"W x 48U	VC5DC-8481	VC5 High Flow Mesh Door, 31.5"W x 48U
VC5DB-6481	VC5 Split Mesh Door, 24"W x 48U	VC5DD-8481	VC5 Solid Steel Door, 31.5"W x 48U
VC5DC-6481	VC5 High Flow Mesh Door, 24"W x 48U	VC5DE-8481	VC5 Acrylic Window Door, 31.5"W x 48U

SIDE PANELS			
VC5SB-12451	VC5 Side Panel w/Pass-Through Holes & Brush Panels, 45U x 48"	VC5SP-10521	VC5 Side Panel w/Pass-Through Holes & Covers, 52U x 42"
VC5SB-12481	VC5 Side Panel w/Pass-Through Holes & Brush Panels, 48U x 48"	VC5SP-12421	VC5 Side Panel w/Pass-Through Holes & Covers, 42U x 48"
VC5SB-12521	VC5 Side Panel w/Pass-Through Holes & Brush Panels, 52U x 48"	VC5SP-12451	VC5 Side Panel w/Pass-Through Holes & Covers, 45U x 48"
VC5SP-10421	VC5 Side Panel w/Pass-Through Holes & Covers, 42U x 42"	VC5SP-12481	VC5 Side Panel w/Pass-Through Holes & Covers, 48U x 48"
VC5SP-10451	VC5 Side Panel w/Pass-Through Holes & Covers, 45U x 42"	VC5SP-12521	VC5 Side Panel w/Pass-Through Holes & Covers, 52U x 48"
VC5SP-10481	VC5 Side Panel w/Pass-Through Holes & Covers, 48U x 42"		

MISCELLANEOUS			
RAHCL01	Cabinet Door Handle with Combo Lock	RALED01	LED Cabinet Light
RAPDUH1	Power Distribution Unit, 10+2 Horizontal	VPB-5151415V	Basic Rack Mount PDU - 15A, 100-120V, 1.4kW w/NEMA 5-15R Outlets
VPB-5151015H	Basic Rack Mount PDU - 15A, 120V, 1.4kW w/NEMA 5-15R Outlets	VPB-L522420V	Basic Rack Mount PDU - 20A, 100-120V, 1.9kW w/NEMA 5-20R Outlets
VPB-5201020H	Basic Rack Mount PDU - 20A, 120V, 1.9kW w/NEMA 5-20R Outlets	VPB-L622439V	Basic Rack Mount PDU - 20A, 200-240V, 3.3kW w/IEC C13 & C19 Outlets
VPB-L621239H	Basic Rack Mount PDU - 20A, 200-240V, 3.3-4.9kW w/IEC C13 & C19 Outlets	VPB-L633039V	Basic Rack Mount PDU - 30A, 200-240V, 4.9kW w/IEC C13 & C19 Outlets
VPB-L631213H	Basic Rack Mount PDU - 30A, 200-240V, 5.7kW w/IEC C13 Outlets		

For additional information, please visit www.vericomsolutions.com

Vericom Global Solutions 5-Year Limited Warranty

Vericom warrants this product, if used in accordance with all applicable instructions, to be free from original defects in material and workmanship for a period of 5 years from the date of initial purchase. If the product should prove defective in material or workmanship within that period, Vericom will repair or replace the product, in its sole discretion.

The Warranty will not apply to those Vericom products that:

- Have been modified or altered by persons other than Vericom, beyond requirements for typical use and installation;
- Have been subjected to any intentional misuse, neglect, improper installation or accidental damage by the buyer;
- Have been subjected to repair or attempted repair before prior consultation with Vericom;
- The Vericom product has been modified beyond the original scope of the product purpose;
- Deterioration due to corrosive atmosphere or external causes, such as extremes in temperature or humidity that extend beyond the listed specifications for the product; and/or
- Damages attributable to events classified as "Acts of God", including, but not limited to, tornadoes, earthquakes, hurricanes, hail storms or other weather phenomenon of an extreme nature.

