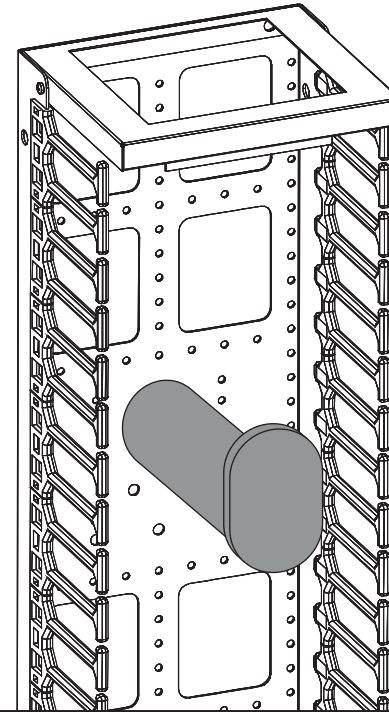


---

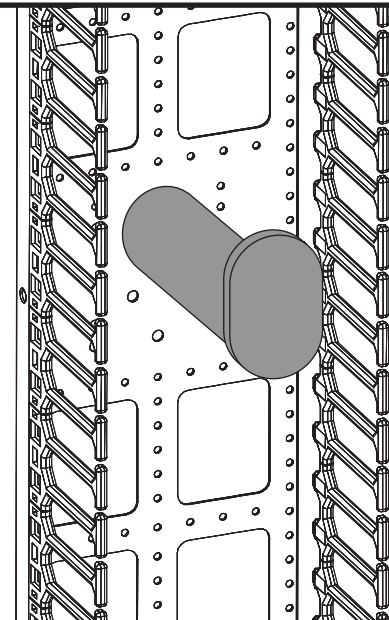
**VERICOM**®

2511 Wescott Blvd. Knoxville, TN 37931  
vericomsolutions.com - +1 (865) 671-4455

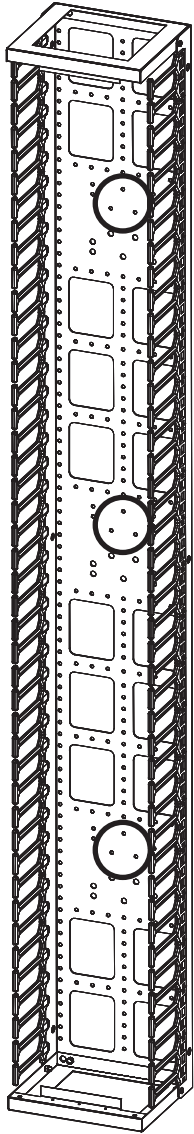
---



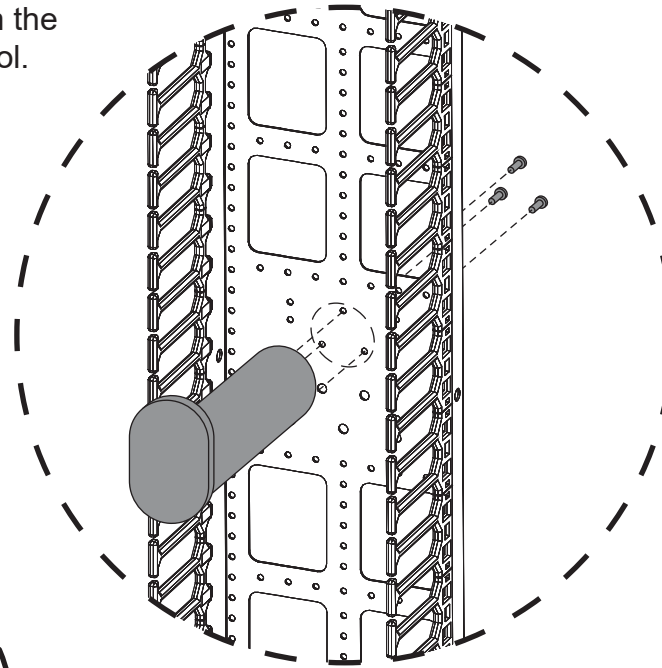
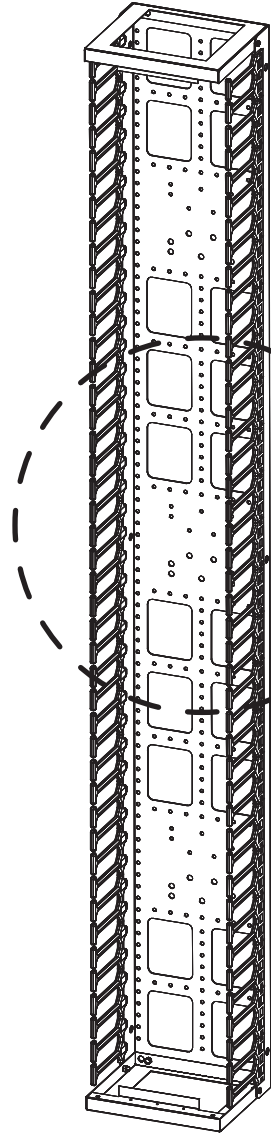
**VCM-62CS3PK**  
**2.6" Diameter Viaduct Cable Management Spools**



1. Locate the 3 sets of (3) 6mm dia. holes in a triangular pattern as shown.



2. Insert (3) M4 screws from the back and into the cable spool.



3. Repeat for other two locations.

