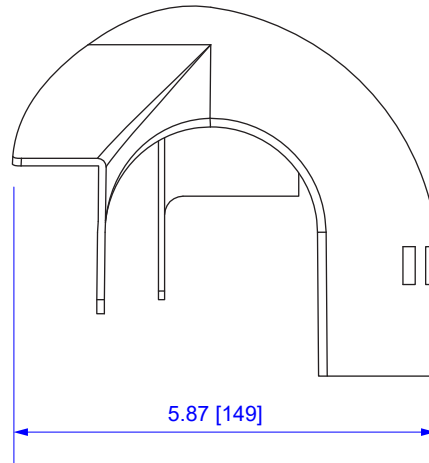
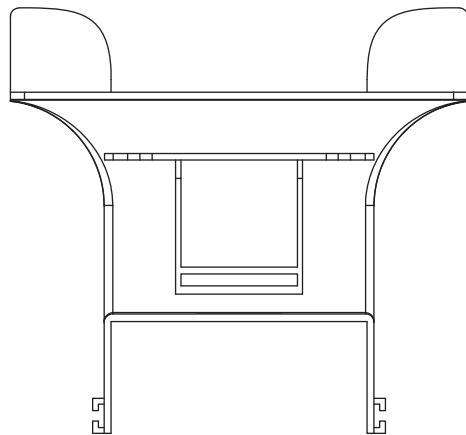


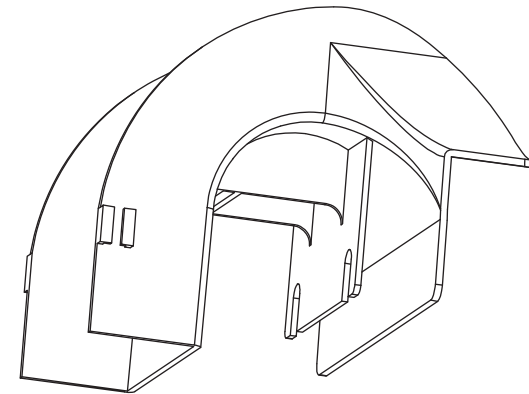
REAR VIEW



SIDE VIEW



BOTTOM VIEW



ITEM NO.		VCT-090SD		VERICOM [®]	
DESCRIPTION					
3.5"W SIDE DROP					
DATE	SCALE	SHEET	REV		
07/21/2020	none	1 of 1			

All dimensions in inches [mm]