



3.5" Wide Spill Over



**Product Specifications**

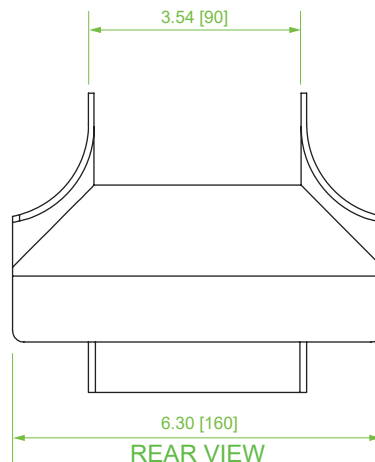
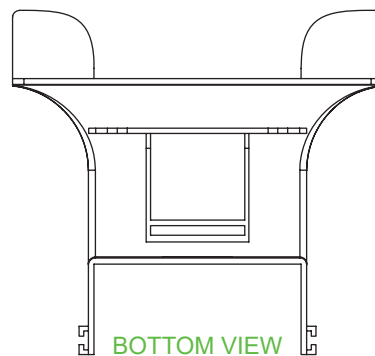
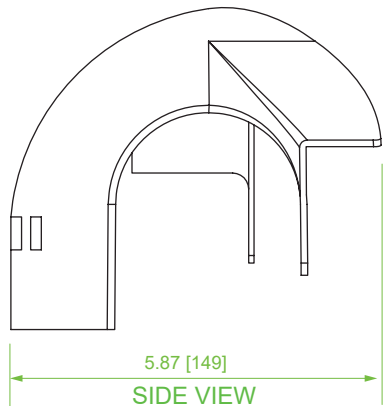
- Material:** Lightweight, flame-retardant PVC (V-0 rated)
- Color:** Yellow
- Dimensions (L x W x H):** 7.7" x 7.3" x 5.6"
- Weight:** 0.85 lbs
- Hardware:** 2 sets of plastic t-bolt and hex nuts (included)
- Compliance & Standards:** UL2024 & UL94-V0
- Selling Unit:** 1 piece

**Description**

Side mounted spill overs provide a vertical exit from a horizontal fiber tray run, allowing cables to route into cabinets and racks below. Tool-free installation allows this spill over to be located and/or repositioned anywhere along a straight channel section.

- Maintains minimum cable bend radius requirements
- Tool-free installation

Item Number	Description
VCT-090SD	3.5"W Spill Over



TECHNICAL SHEETS ARE SUBJECT TO CHANGE WITHOUT NOTICE.

REV.20200901.1