



5" 45° Down Elbow



Product Specifications

Material: Lightweight, flame-retardant PVC (V-0 rated)

Color: Yellow

Dimensions (L x W x H): 7.6" x 6.4" x 6.4"

Weight: 0.51 lbs

Hardware: (2) VCT-120CNC couplers for connection
(sold separately)

Compliance & Standards: UL2024 & UL94-V0

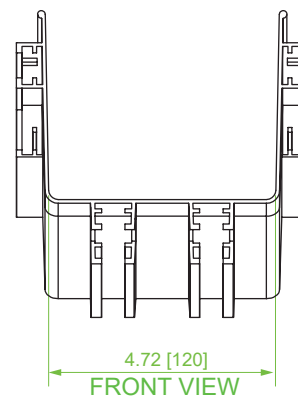
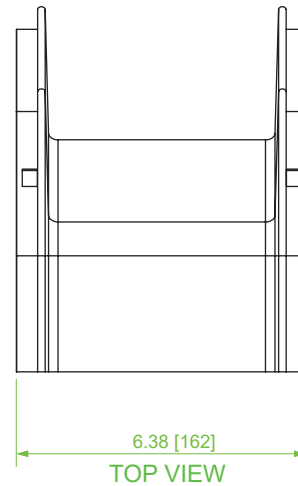
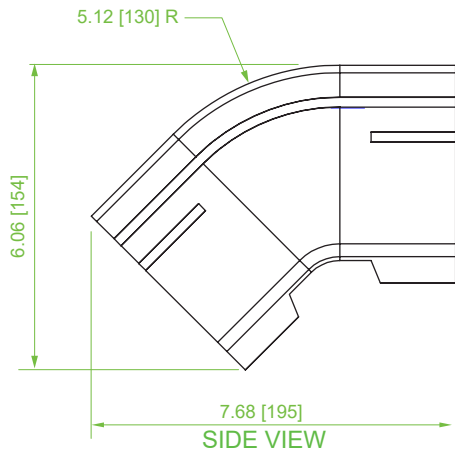
Selling Unit: 1 piece

Description

Connects to a 5" straight channel section to create a 45 degree downward angle from a horizontal run. Use with VCT-120UE41 45 degree up elbow to change the elevation of a fiber routing system.

- Tool-free installation
- Maintains minimum cable bend radius requirements

Item Number	Description
VCT-120DE41	5" 45° Down Elbow
VCT-120DE41C	Cover for 5" 45° Down Elbow



TECHNICAL SHEETS ARE SUBJECT TO CHANGE WITHOUT NOTICE.

REV.20200901.1