



5" 45° Up Elbow

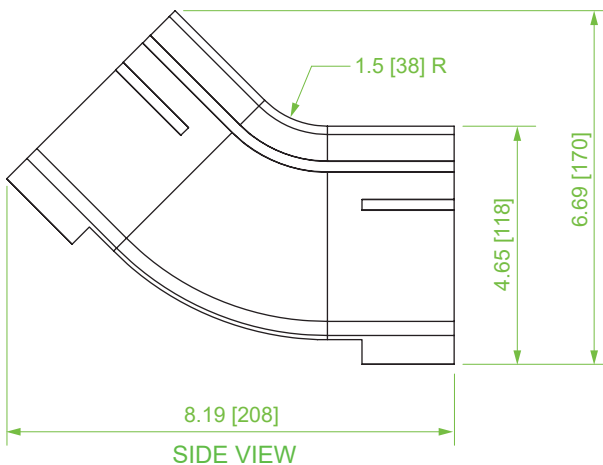


Description

Connects to a 5" straight channel section to create a 45-degree upward angle from a horizontal run. Use with VCT-120DE41 45-degree down elbow to change the elevation of a fiber routing system.

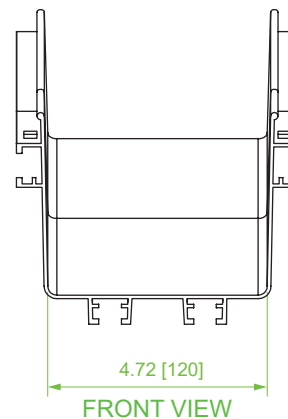
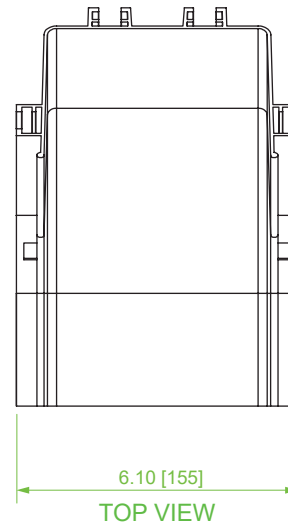
- Tool-free installation
- Maintains minimum cable bend radius requirements

Item Number	Description
VCT-120UE41	5" 45° Up Elbow
VCT-120UE41C	Cover for 5" 45° Up Elbow



Product Specifications

**Material:** Lightweight, flame-retardant PVC (V-0 rated)  
**Color:** Yellow  
**Dimensions (L x W x H):** 8.2" x 6.1" x 6.6"  
**Weight:** 0.65 lbs  
**Hardware:** (2) VCT-120CNC couplers for connection (sold separately)  
**Compliance & Standards:** UL2024 & UL94-V0  
**Selling Unit:** 1 piece



TECHNICAL SHEETS ARE SUBJECT TO CHANGE WITHOUT NOTICE.

REV.20200902.1