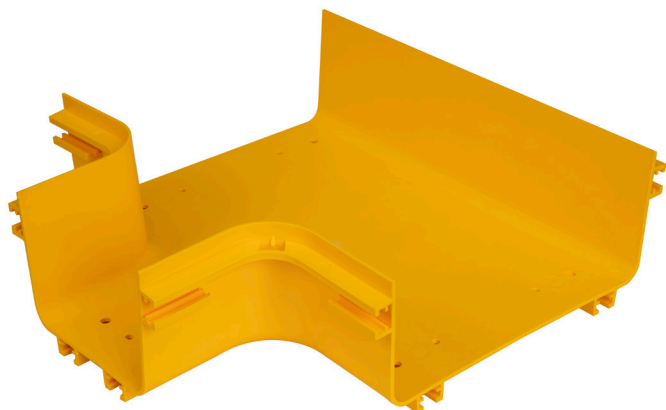




10" x 5" Horizontal Tee

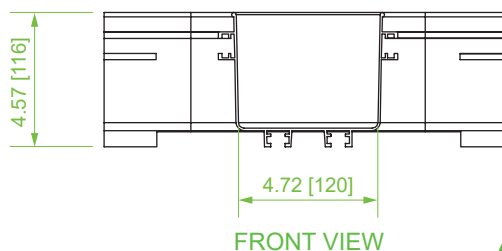
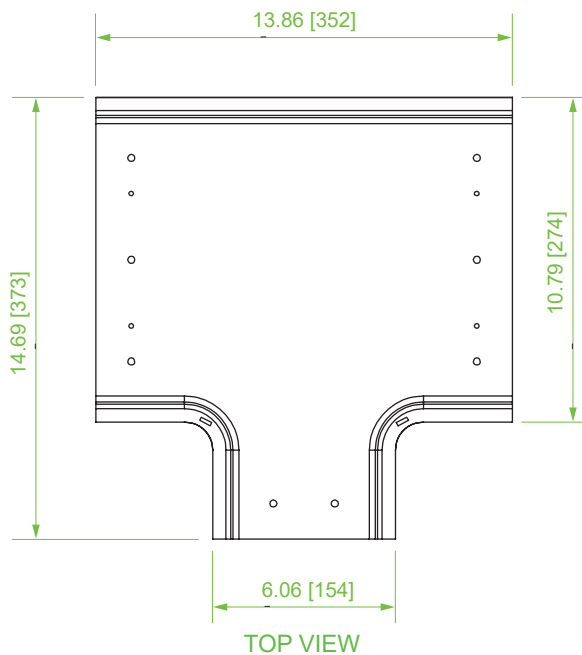
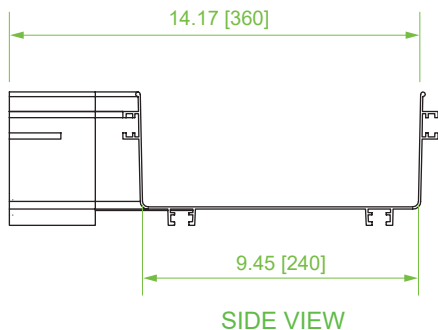


Description

This horizontal tee adapter connects a 5" channel to a 10" channel to create a horizontal branch in a fiber routing system.

- Tool-free installation
- Maintains minium cable bend radius requirements

Item Number	Description
VCT-240AT	10" x 5" Horizontal Tee
VCT-240ATC	Cover for 10" x 5" Horizontal Tee



**Product Specifications**

**Material:** Lightweight, flame-retardant PVC (V-0 rated)

**Color:** Yellow

**Dimensions (L x W x H):** 14.7" x 13.9" x 4.6"

**Weight:** 2.65 lbs

**Hardware:** (2) VCT-240CNC and (1) VCT-120CNC couplers for connection (sold separately)

**Compliance & Standards:** UL2024 & UL94-V0

**Selling Unit:** 1 piece