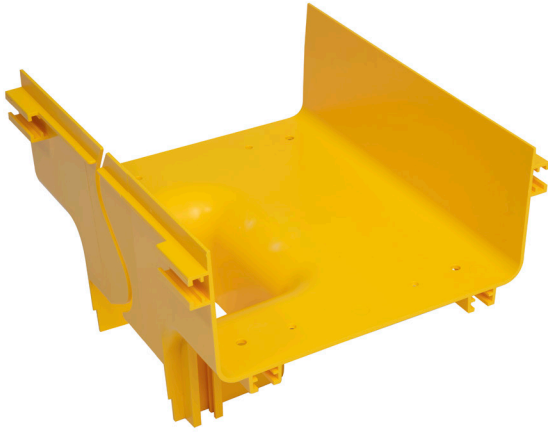




10" to 5" Vertical Tee



Product Specifications

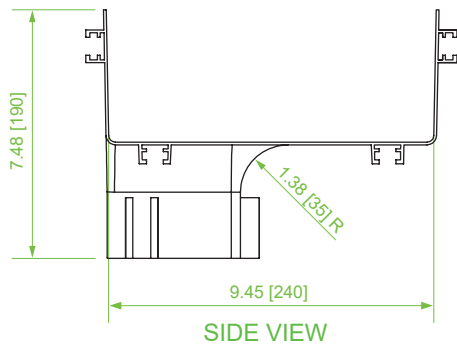
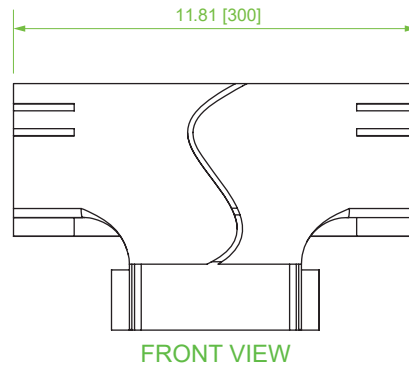
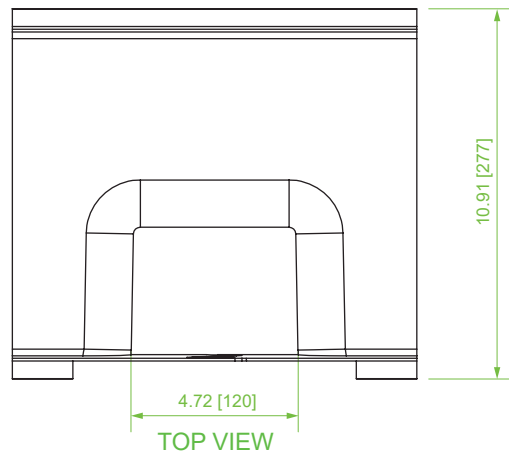
- Material:** Lightweight, flame-retardant PVC (V-0 rated)
- Color:** Yellow
- Dimensions (L x W x H):** 11.8" x 10.9" x 7.5"
- Weight:** 1.54 lbs
- Hardware:** (1) VCT-120CNC & (2) VCT-240CNC couplers for connection (sold separately)
- Compliance & Standards:** UL2024 & UL94-V0
- Selling Unit:** 1 piece

Description

Vertical tees connect to straight channel sections or other transitional fittings to provide a 90-degree vertical drop in a fiber routing system.

- Tool-free installation
- Maintains minimum cable bend radius requirements

Item Number	Description
VCT-240AV	10" to 5" Vertical Tee



TECHNICAL SHEETS ARE SUBJECT TO CHANGE WITHOUT NOTICE.

REV.20200902.1