



10" End Cap



Description

End caps close off terminal ends of a straight channel or transitional fitting to protect cables and provide a finished look.

- Tool-free installation

Product Specifications

**Material:** Lightweight, flame-retardant PVC (V-0 rated)

**Color:** Yellow

**Dimensions (L x W x H):** 10.6" x 4.5" x 1.0"

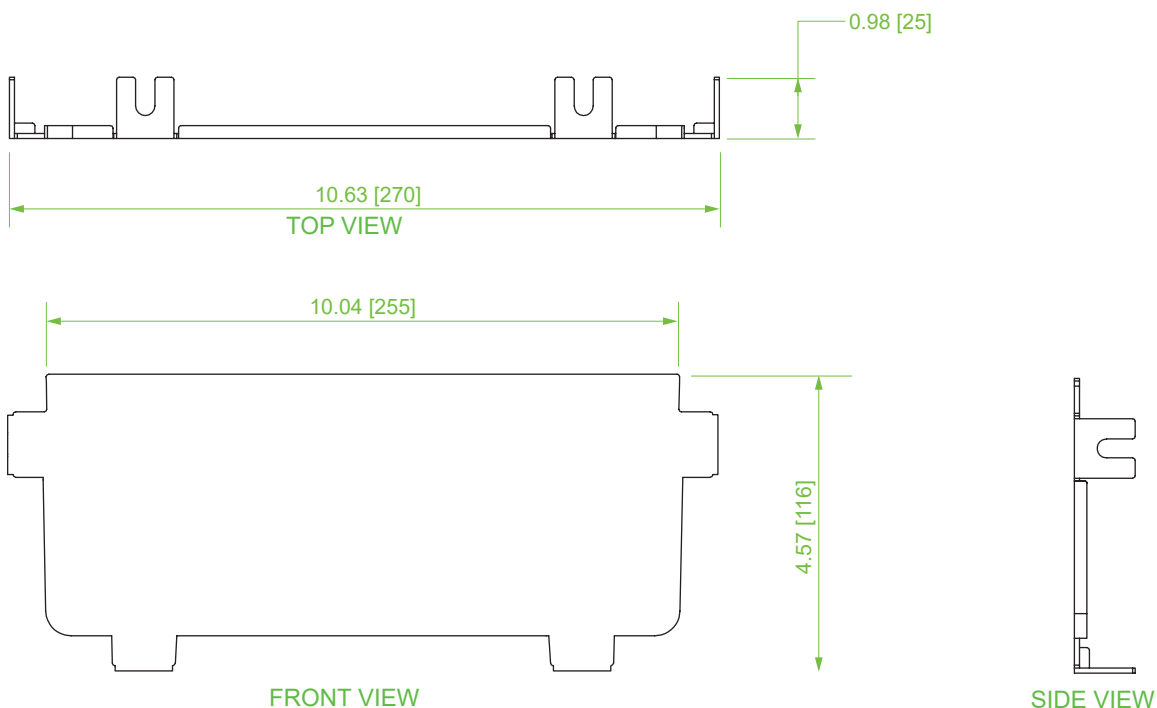
**Weight:** 0.18 lbs

**Hardware:** (2) VCT-HF03-B50 plastic T-bolts and (2) VCT-HF04\_B50 plastic hex nuts for connection (sold separately)

**Compliance & Standards:** UL2024 & UL94-V0

**Selling Unit:** 1 piece

Item Number	Description
VCT-240EC	10" End Cap



TECHNICAL SHEETS ARE SUBJECT TO CHANGE WITHOUT NOTICE.

REV.20201007.1