



15" 45° Down Elbow



Description

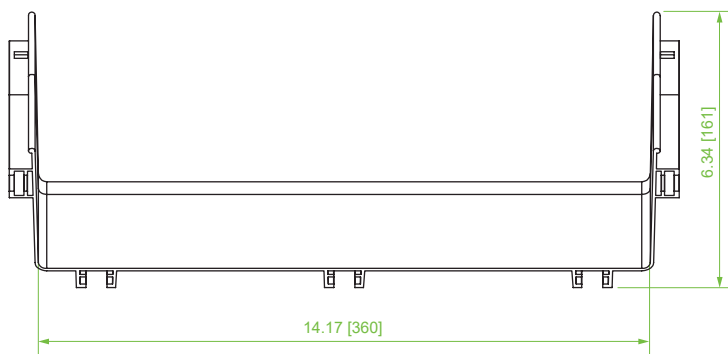
Connects to a 15" straight channel section to create a 45 degree downward angle from a horizontal run. Use with VCT-360UE41 45 degree up elbow to change the elevation of a fiber routing system.

- Tool-free installation
- Maintains minimum cable bend radius requirements

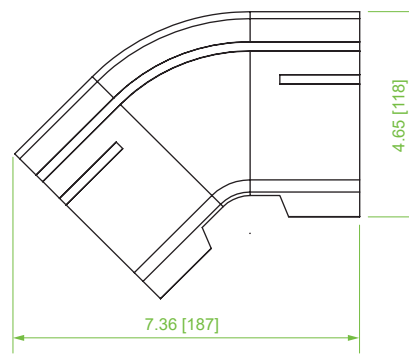
Product Specifications

Material: Lightweight, flame-retardant PVC (V-0 rated)
Color: Yellow
Dimensions (L x W x H): 7.3" x 15.6" x 6.3"
Weight: 0.83 lbs
Hardware: (2) VCT-360CNC couplers for connection (sold separately)
Compliance & Standards: UL2024 & UL94-V0
Selling Unit: 1 piece

Item Number	Description
VCT-360DE41	15" 45° Down Elbow
VCT-360DE41C	Cover for 15" 45° Down Elbow



FRONT VIEW



SIDE VIEW