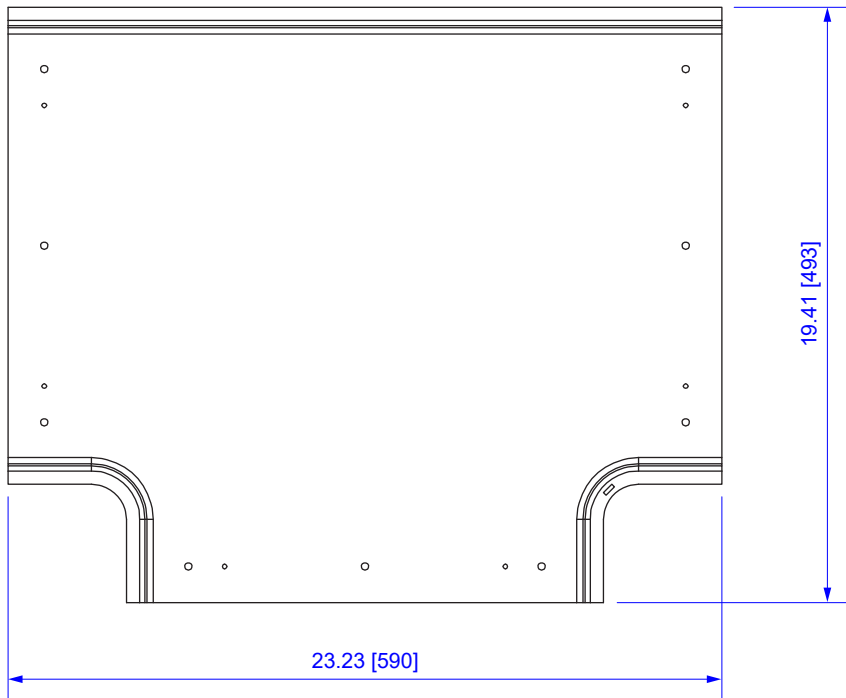
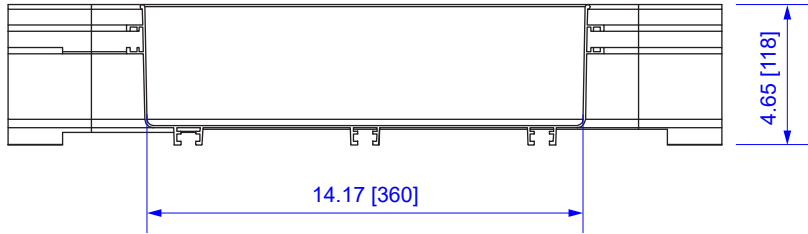
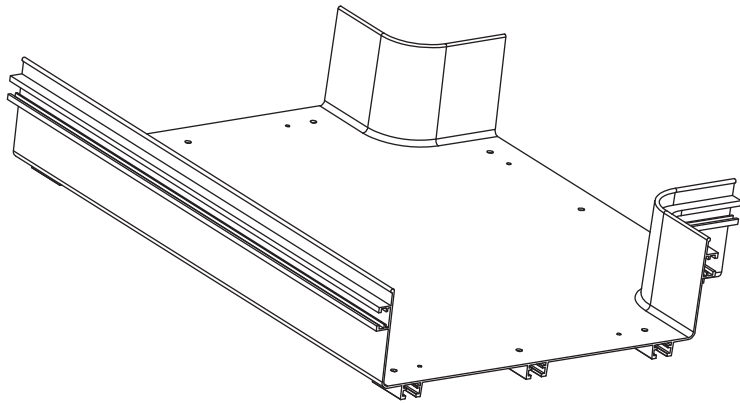


COMPLIANCE

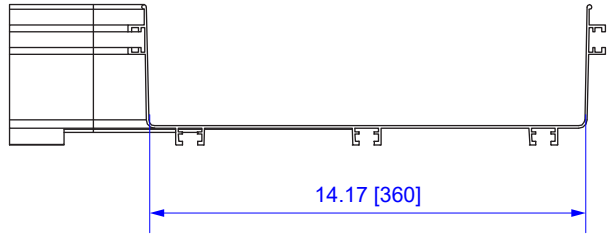
UL 2024
UL 94 V-0



TOP VIEW



FRONT VIEW



SIDE VIEW

All dimensions in inches [mm]

ITEM NO.	VCT-360HT1		
DESCRIPTION	15" HORIZONTAL TEE		
DATE	07/22/2020	SCALE	none
SHEET	1 of 1	REV	