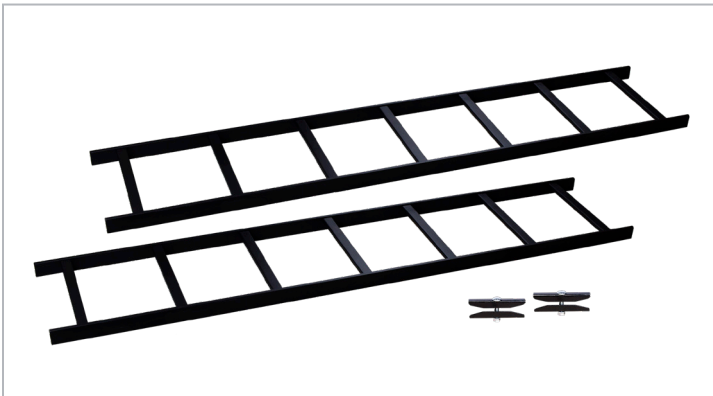




5-Foot Cable Ladder Rack Kit



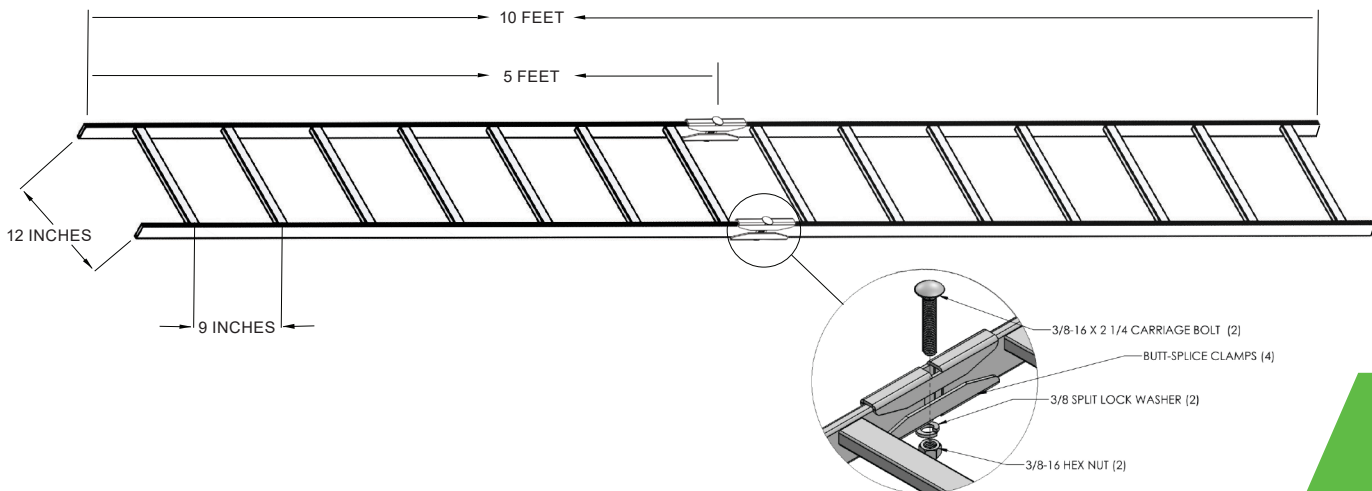
Description

This 5-Foot Ladder Rack Kit is an economical way to ship the equivalent of 10 feet of ladder rack, without incurring hefty surcharges applied by freight carriers.

Each kit includes (2) 5ft x 12" wide ladder sections and (1) butt splice kit, which when assembled creates 10 feet of ladder.

- 60.3" x 12.6" x 2.3" box can be shipped via FedEx Ground or UPS
- Drastically reduces shipping costs for small ladder orders
- Lower total cost of ownership compared to 10-Foot ladder sections

Technical Illustration



TECHNICAL SHEETS ARE SUBJECT TO CHANGE WITHOUT NOTICE.

REV.20230104.01

Product Specifications

**Product Type:** 5-Foot Cable Ladder Rack Kit

**Product Material (Stringers):** 1-1/2 x 3/8 x 0.06 Thick Tubular Steel

**Product Material (Cross Members):** 1.00 x 1/2 Thick Tubular Steel Welded on 9.00 Centers

**Compliance & Standards:** RoHS Compliant

**Max. Load W/ Min. Deflection:** 132 lbs. Per Foot If Supported Every 5 Feet

**Kit Includes:** (2) 5-Foot Ladder Rack Runways, (1) Butt Splice Kit

Ordering Information

Description
5-Foot Cable Ladder Rack Kit
Item #
VLR-12052PK