



Cable Radius Drop - Inside



Description

Our radius drop allows for cables to exit the relay rack and maintain proper bend radius. This cable radius drop is comprised of high strength 6063-T6 aluminum and is available in black.

Product Specifications

Product Type: Cable Radius Drop Inside

Product Material: High Strength 6063-T6 Aluminum Extrusion

Product Color: Black (Additional Colors Available Through Special Order)

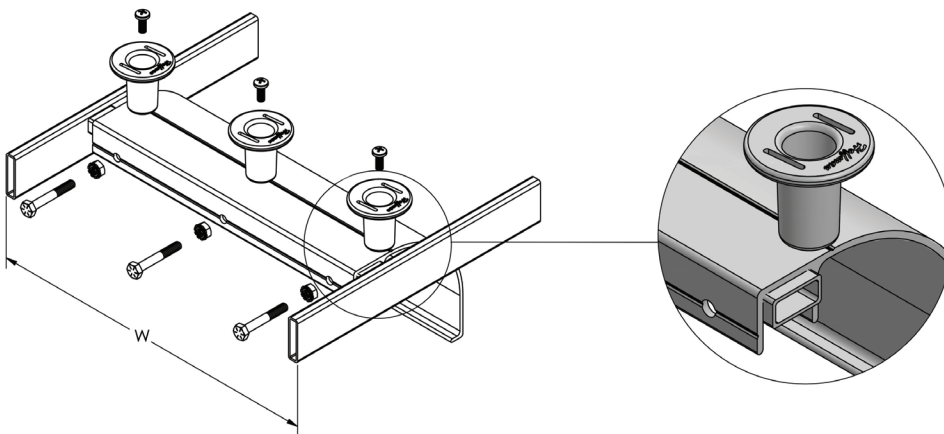
Compliance & Standards: RoHs Compliant

Kit Includes: (1) Cable Radius Drop, (1) Hardware Kit

Ordering Information

Description	
Cable Radius Drop Inside For Cable Runway	
Item #	Width
VLR-A12DC	12"

Technical Illustration



TECHNICAL SHEETS ARE SUBJECT TO CHANGE WITHOUT NOTICE.

REV.20200317.3