



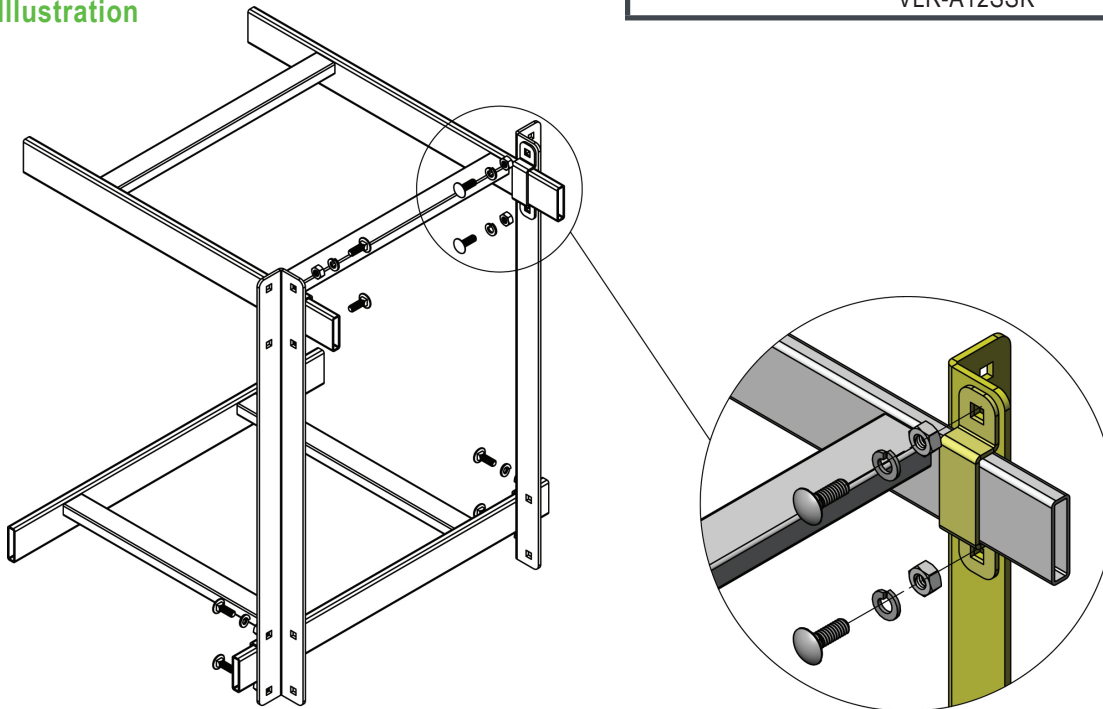
**Standoff Support Kit: 12"**



**Description**

This standoff support kit allows the attachment of cable ladder 12" directly above and either perpendicular or parallel to existing cable ladder. Our standoff support kit consists of 2 angle brackets, 4 clamp brackets and 8 sets of 1/4-20 hardware. The components are constructed of high strength 14 gauge steel, and are available in black. Additional color options available through special order only.

**Technical Illustration**



**Product Specifications**

- Product Type:** Standoff Support Kit: 12"
- Product Material:** High Strength 14 Gauge Steel
- Product Color:** Black (Additional Colors Available Through Special Order)
- Compliance & Standards:** RoHS Compliant
- Kit Includes:** (2) Angle Brackets, (4) Clamp Brackets, (8) sets of 1/4-20 hardware

**Ordering Information**

Description
12" Standoff Support Kit For Cable Runway
Item #
VLR-A12SSK

TECHNICAL SHEETS ARE SUBJECT TO CHANGE WITHOUT NOTICE.

REV.20200415.2