



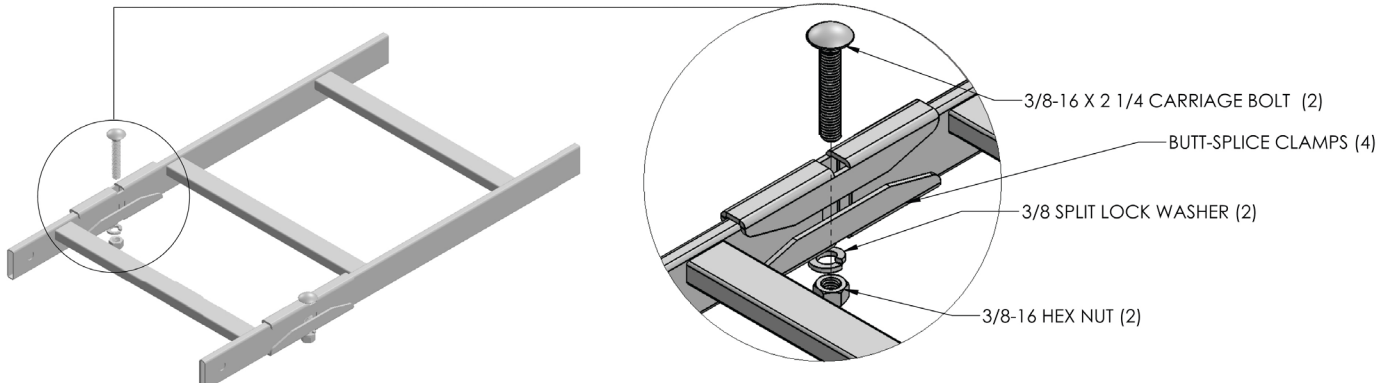
Butt Splice Kit



Description

This kit is used to fasten cable ladder sections end to end. Our butt splice kit consists of 2 butt splice clamps and 3/8-16 hardware. The components are constructed of high strength steel and are RoHS compliant.

Technical Illustration



Product Specifications

Product Type: Butt Splice Kit

Product Material: High Strength Steel

Compliance & Standards: RoHS Compliant

Kit Includes: (2) Butt Splice Clamps and 3/8-16 Hardware

Ordering Information

Description
Butt Splice Kit For Cable Runway
Item #
VLR-A2EK00