



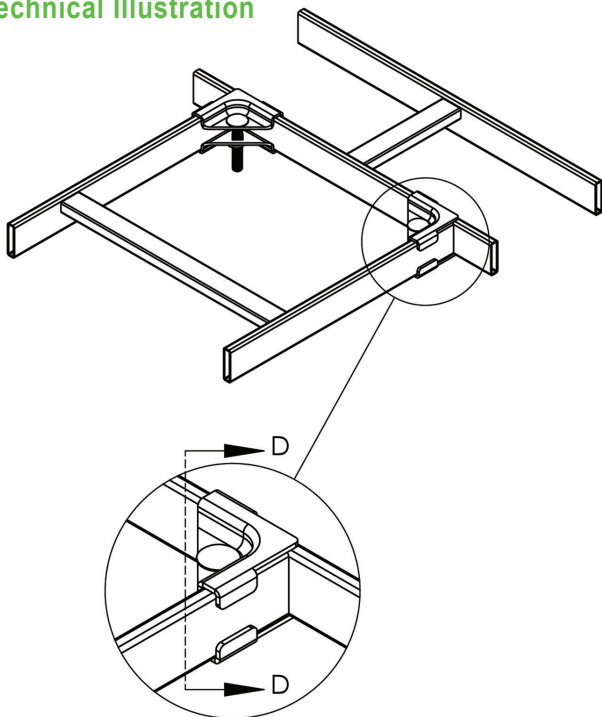
T-Junction Bracket Splice Kit



Description

This kit is used to secure cable ladder runway sections together at a 90 degree intersection. Our T-junction bracket kit is offered as a set of 4 corner clamp brackets and comes complete with 3/8" hardware.

Technical Illustration



TECHNICAL SHEETS ARE SUBJECT TO CHANGE WITHOUT NOTICE.

Product Specifications

Product Type: T-Junction Bracket Splice Kit

Product Material: High Strength Steel

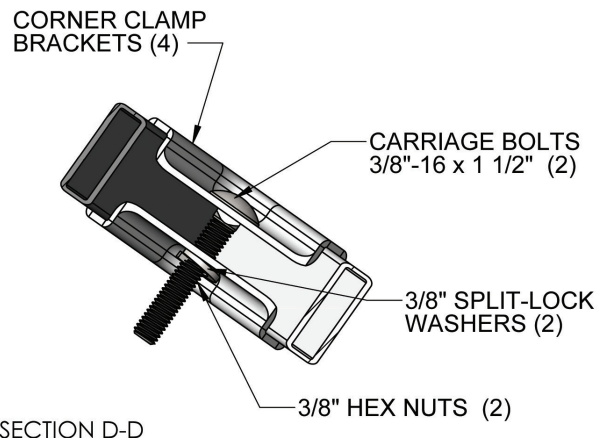
Product Color: Black (Additional Colors Available Through Special Order)

Compliance & Standards: RoHS Compliant

Kit Includes: (4) Corner Clamp Brackets, (2) 3/8"- 16 x 1 1/2" Carriage Bolts, (2) 3/8" Split Lock Washers, (2) 3/8" Hex Nuts

Ordering Information

Description
T-Junction Bracket Splice Kit For Cable Runway
Item #
VLR-A2JT



REV.20200409.3