



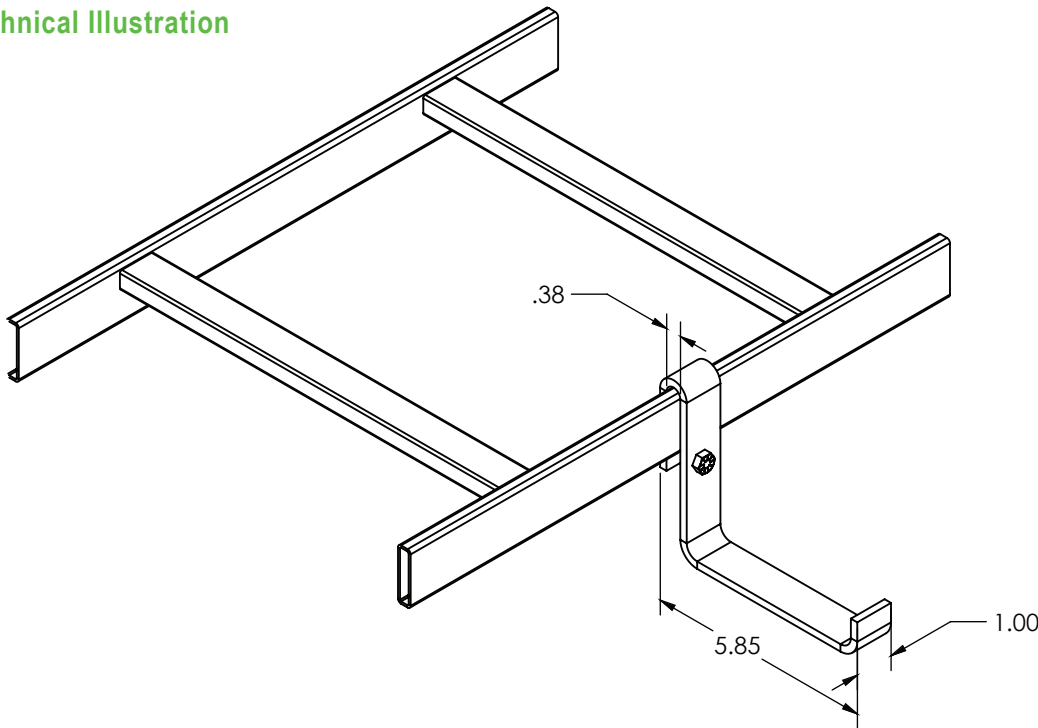
L Bracket for Cable Ladder Rack



Description

This L Bracket mounts to a ladder rack stringer to provide a pathway for power or other cables that should be physically separated from main cable runs. Mounts to any 1 1/2" x 3/8" tubular or solid runway.

Technical Illustration



Product Specifications

**Product Type:** L Bracket

**Product Material:** High Strength Steel

**Product Color:** Black (Additional Colors Available Through Special Order)

**Compliance & Standards:** RoHs Compliant

**Kit Includes:** (1) 5" L Bracket and 1/4" mounting hardware

Ordering Information

Description
L Bracket For Cable Runway
Item #
VLR-A5LB