



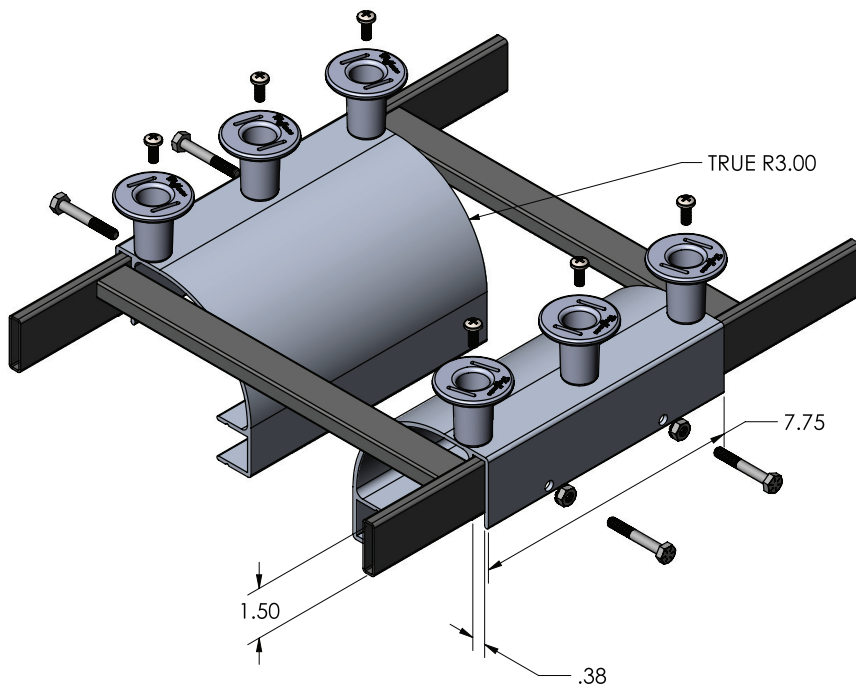
Cable Radius Drop- Stringer Side



Description

Constructed of high strength steel plate, our stringer drop kit allows the cables to exit from the side of the ladder runway while maintaining proper cable bend radius.

Technical Illustration



Product Specifications

Product Type: Cable Radius Drop- Stringer Side

Product Material: High Strength Steel

Product Color: Black

Compliance & Standards: RoHs Compliant

Kit Includes: Spools and Hardware

Ordering Information

Description
Cable Radius Drop (Side) For Cable Runway
Item #
VLR-ASD