



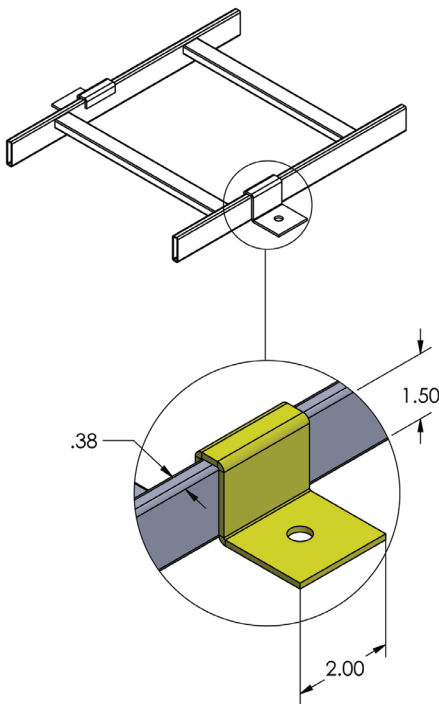
Vertical Wall Bracket Kit



Description

This kit is used to anchor a ladder runway to a wall. Our vertical wall bracket kit consists of two wall brackets constructed from high strength steel. These brackets are RoHS Compliant.

Technical Illustration



TECHNICAL SHEETS ARE SUBJECT TO CHANGE WITHOUT NOTICE.

Product Specifications

Product Type: Vertical Wall Bracket Kit

Product Material: High Strength Steel

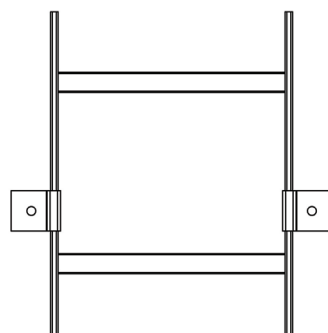
Product Color: Black (Additional Colors Available Through Special Order)

Compliance & Standards: RoHs Compliant

Kit Includes: (2) Vertical Wall Brackets

Ordering Information

Description
Vertical Wall Bracket Kit For Cable Runway
Item #
VLR-AVWB



REV.20200420.2