
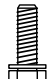

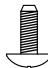


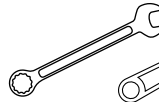

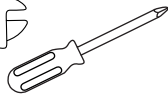
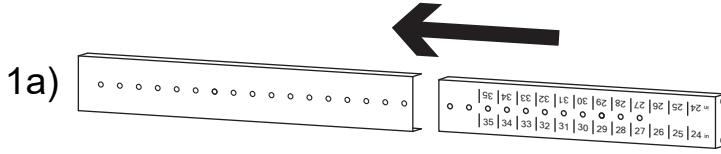


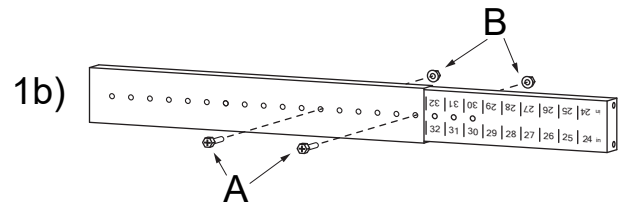
# 4 POST ADJUSTABLE DEPTH STEEL RELAY RACK

## Assembly Instructions

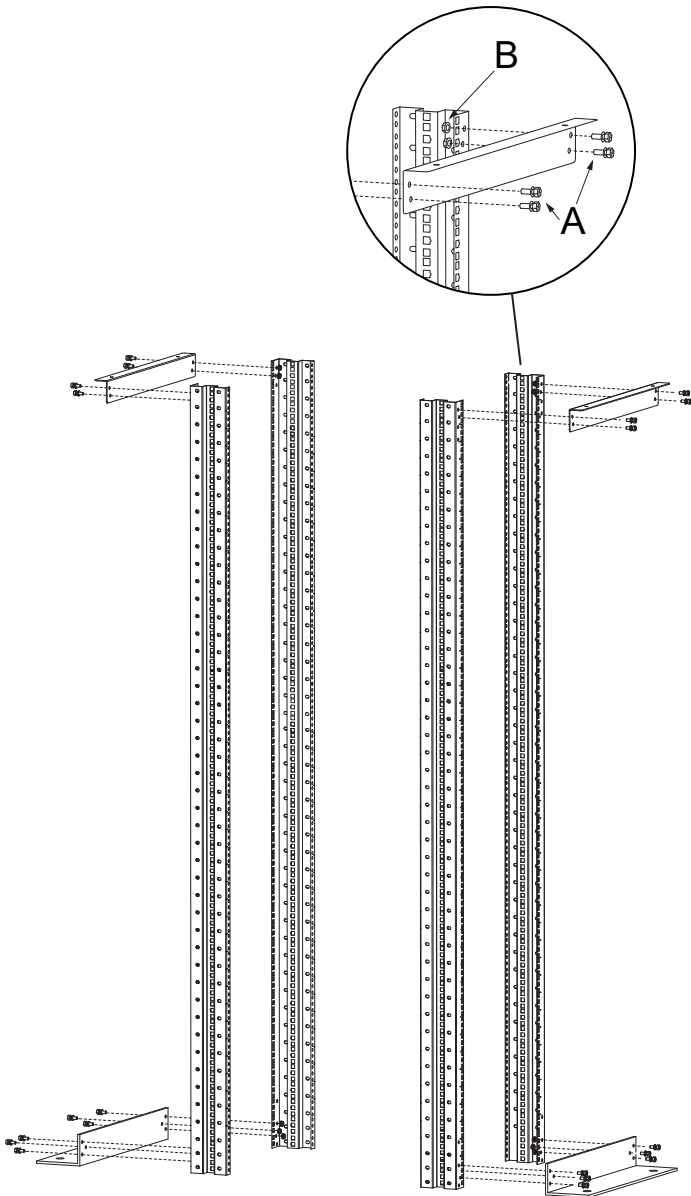
	SUPPLIED HARDWARE				REQUIRED FOR INSTALLATION			
	 56 x M6 screw <b>A</b>	 56 x M6 nut <b>B</b>	 48 x 10-32 screw <b>C</b>	 48 x 10-32 cage nut <b>D</b>	 Socket wrench with extension and 10mm socket and	 10 mm Box wrench or	 Crescent wrench or	 Phillips head screwdriver



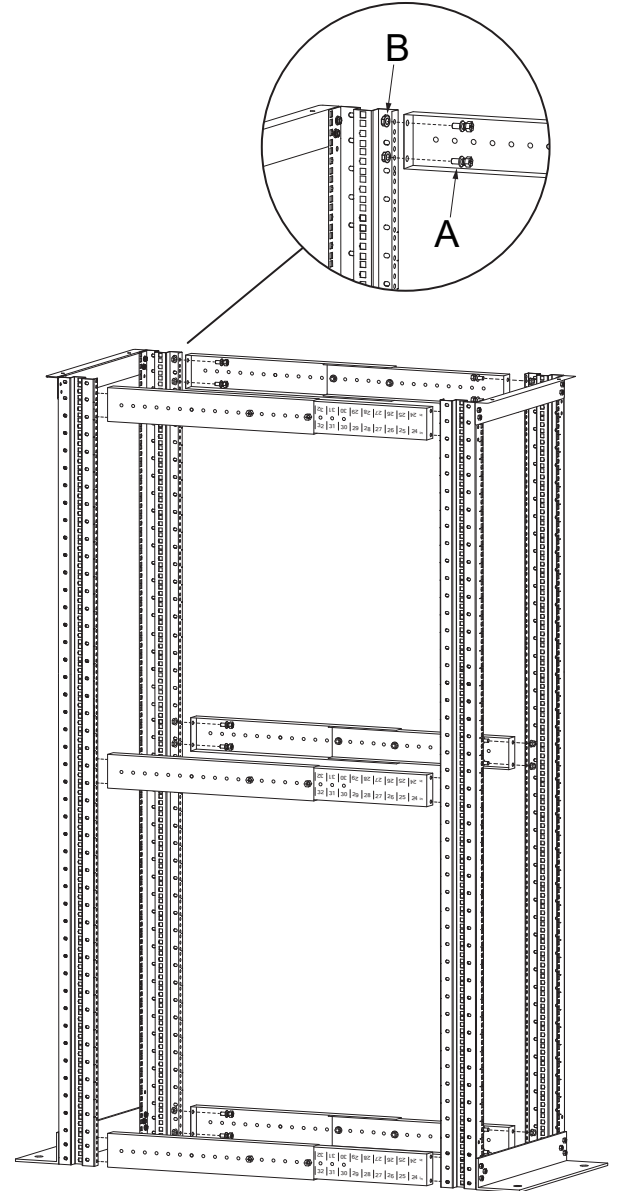
Repeat 6 times



**1** 12 x A, 12 x B



**2** 20 x A, 20 x B



**3** 24 x A, 24 x B