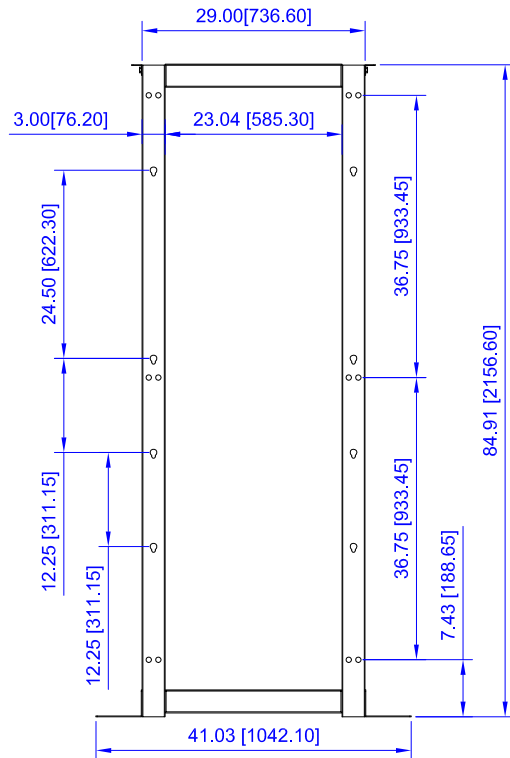
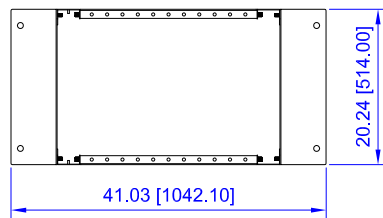


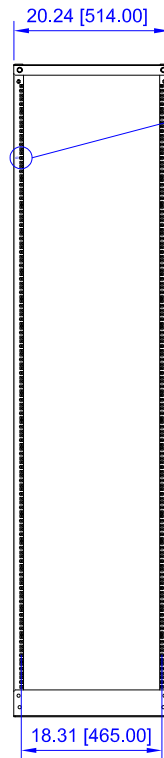
TOP VIEW



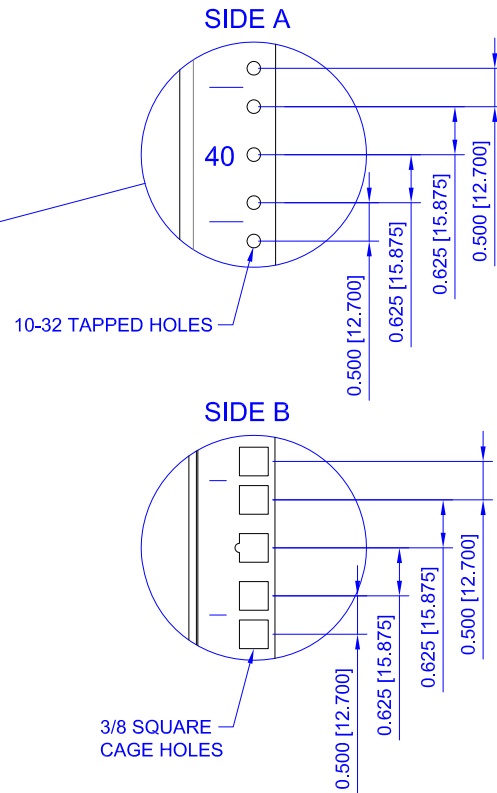
SIDE VIEW



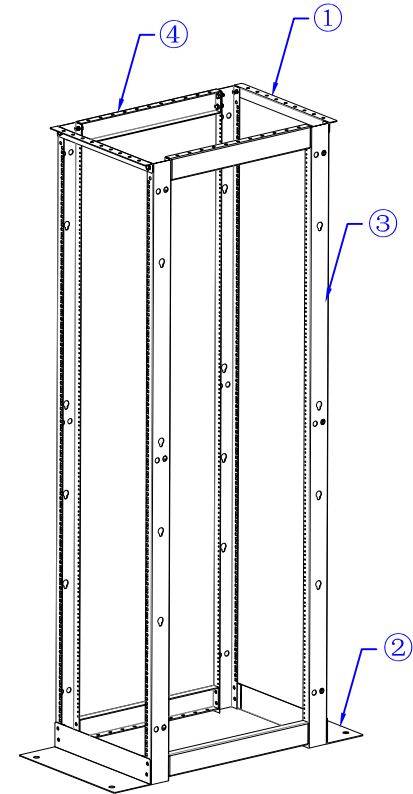
BOTTOM VIEW



FRONT VIEW



COMPLIANCE	ANSI/EIA RS-310D IEC60297-2 DIN41494; Part 1 DIN41494; Part 7
LOADING CAPACITY	1,000 lbs static load



4	4	Side Bracket	Steel	11 gauge
3	4	Rails	Steel	14 gauge
2	2	Base Plate	Steel	12 gauge
1	2	Top Beam	Steel	14 gauge
NO	QTY	NAME	MATERIAL	THICKNESS

ITEM NO.		VR6-451		<b>VERICOM®</b>	
DESCRIPTION		45U FOUR POST STEEL RACK			
DATE	SCALE	SHEET	REV		
01/19/24	none	1 of 1	1		

All dimensions in inches [mm]