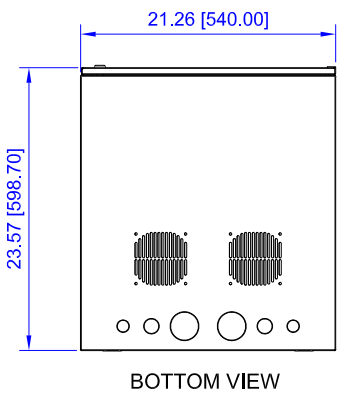
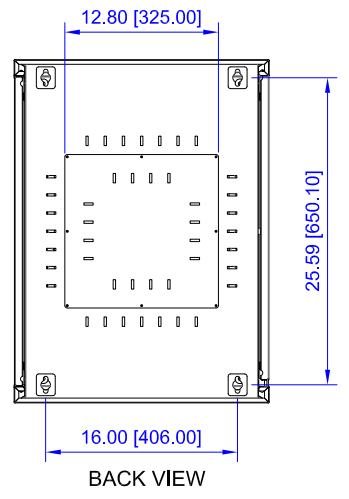
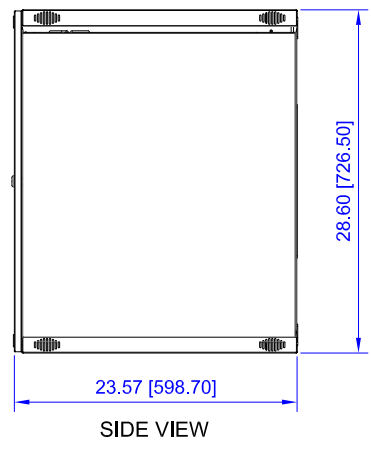
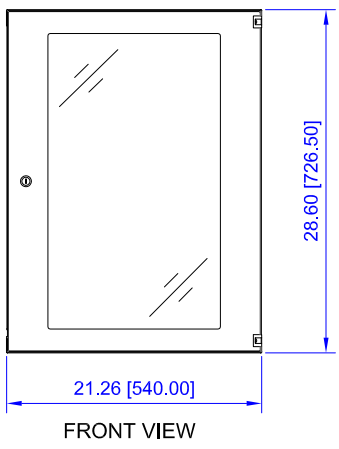
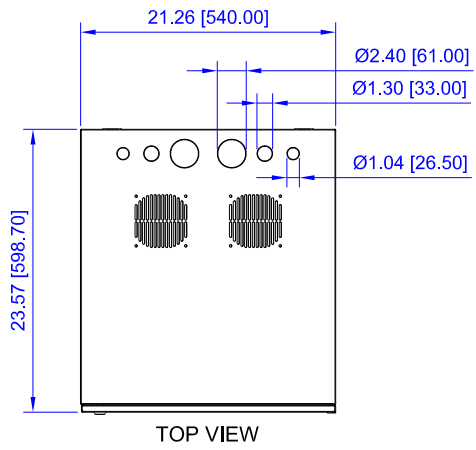
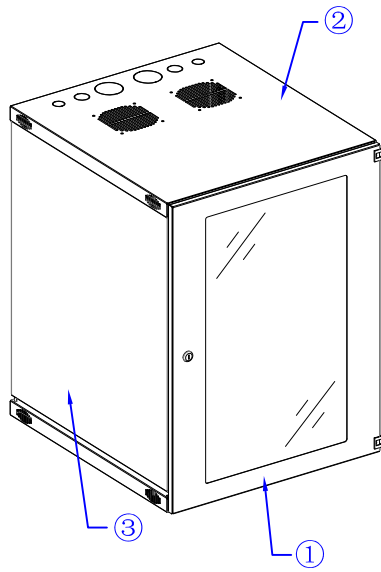


|                  |  |
|------------------|--|
| COMPLIANCE       | ANSI/EIA RS-310D<br>IEC60297-2<br>DIN41494; Part 1<br>DIN41494; Part 7 |
| LOADING CAPACITY | 132 lbs  |



| 3  | 2   | Side Panel     | Steel                     | 19 gauge  |
|----|-----|----------------|---------------------------|-----------|
| 2  | 2   | Top And Bottom | Steel                     | 19 gauge  |
| 1  | 1   | Front Door     | Steel with Acrylic Window | 19 gauge  |
| NO | QTY | NAME           | MATERIAL                  | THICKNESS |

|             |       |                        |                             |  |
|-------------|-------|------------------------|-----------------------------|--|
| ITEM NO.    |       | VW3-6151*              | <b>VERICOM</b> <sup>®</sup> |  |
| DESCRIPTION |       | 15U FIXED WALL CABINET |                             |  |
| DATE        | SCALE | SHEET                  | REV                         |  |
| 04/14/20    | none  | 1 of 1                 | 1                           |  |

\*VW3-6151 replaces RWCSF15

All dimensions in inches [mm]