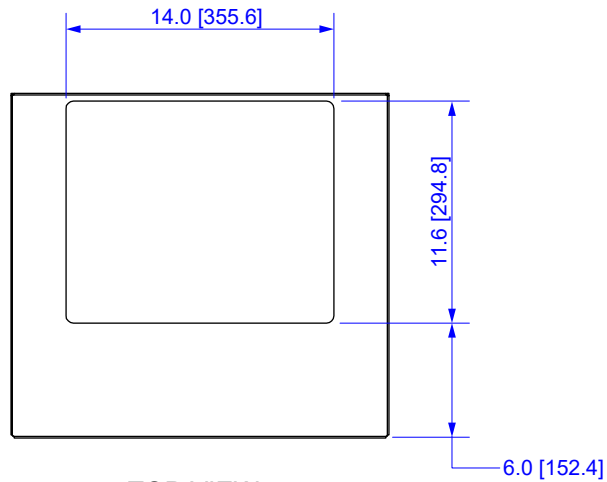
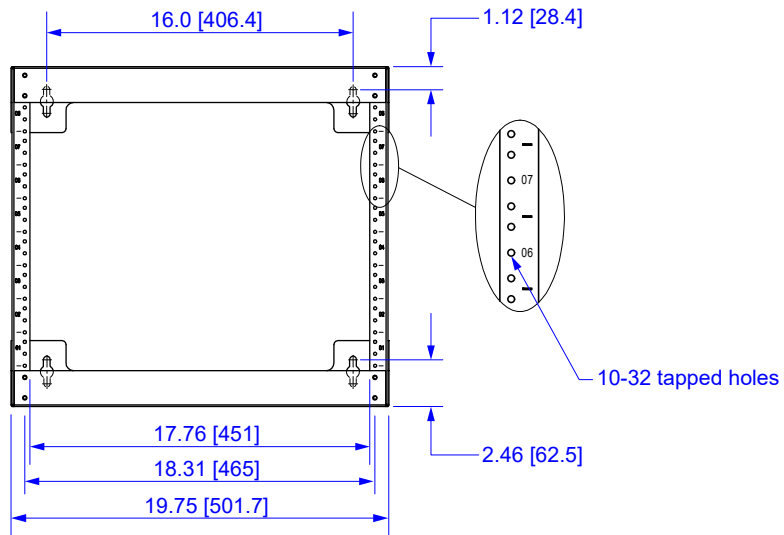
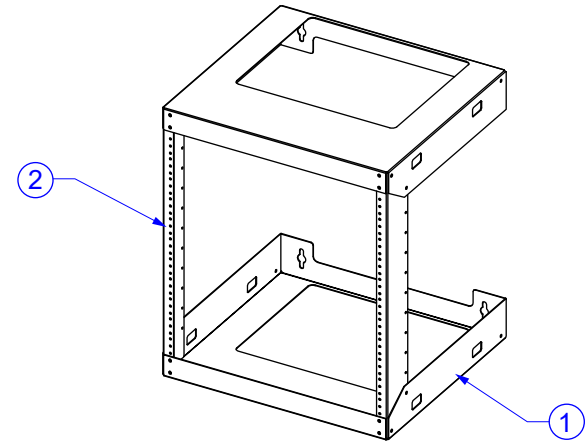


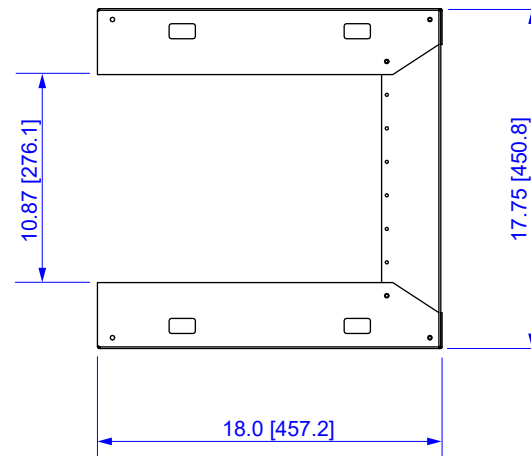
|                  |  |
|------------------|--|
| COMPLIANCE       | ANSI/EIA RS-310D<br>IEC60297-2<br>DIN41494; Part 1<br>DIN41494; Part 7 |
| LOADING CAPACITY | 150 lbs.   |



TOP VIEW



FRONT VIEW



SIDE VIEW

| No. | Description   | Gauge | Qty |
|-----|---------------|-------|-----|
| 1   | Top / Bottom  | 16    | 2   |
| 2   | Mounting Rail | 14    | 2   |

|                           |       |          |     |                             |  |
|---------------------------|-------|----------|-----|-----------------------------|--|
| ITEM NO.                  |       | VW5-5081 |     | <b>VERICOM</b> <sup>®</sup> |  |
| DESCRIPTION               |       |          |     |                             |  |
| <b>8U WALL MOUNT RACK</b> |       |          |     |                             |  |
| DATE                      | SCALE | SHEET    | REV |                             |  |
| 12/04/2020                | none  | 1 of 1   |     |                             |  |

All dimensions in inches [mm]