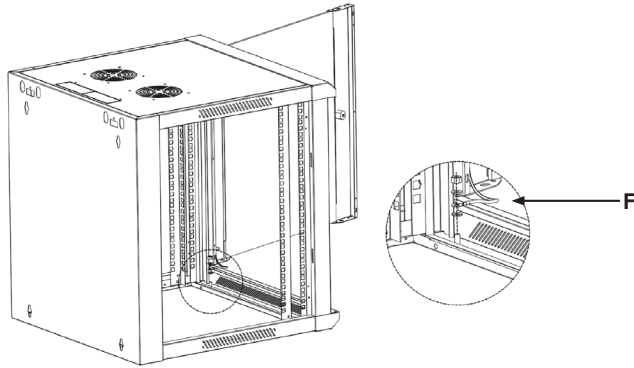


### 10. Install the Grounding Wire Kit

Assemble the Grounding Wire Kit (F) as shown in the picture below. Attach one end to the Front Door and the other end to the Front Frame.



PART NUMBER	DESCRIPTION	HEIGHT	WIDTH	DEPTH
VW8-4061G	6U, Glass Door	14.6" (363MM)	22.4" (570MM)	17.7" (450MM)
VW8-4091G	9U, Glass Door	19.7" (500MM)	22.4" (570MM)	17.7" (450MM)
VW8-4121G	12U, Glass Door	25" (635MM)	22.4" (570MM)	17.7" (450MM)
VW8-4121M	12U, Mesh Door	25" (635MM)	22.4" (570MM)	17.7" (450MM)

# VERICOM®

## VW8 SERIES WALL MOUNT CABINET Assembly Instructions



**CAUTION.** Please thoroughly read this instruction manual to ensure you understand the assembly process.

- Before starting assembly, check that all parts are included and undamaged. If any parts are missing or damaged, contact us for replenishment. Do not use damaged parts! Vericom is not responsible for damage or injury caused by incorrect assembly.
- Save all packaging materials for later use. Shipping this cabinet without the original packing materials may result in damage and could void the warranty.
- Loading capacity should not exceed 133lbs. (60 kgs) including all components and accessories.

### INCLUDED PARTS

- |                         |                          |
|-------------------------|--------------------------|
| 1. Front Door (qty. 1)  | 5. Top Panel (qty. 1)    |
| 2. Front Frame (qty. 1) | 6. Back Frame (qty. 1)   |
| 3. Side Frames (qty. 2) | 7. Rails (qty. 2)        |
| 4. Side Panels (qty. 2) | 8. Bottom Panel (qty. 1) |

### Cabinet Assembly

- |          |  |                              |
|----------|--|------------------------------|
| <b>A</b> |  | M5 Screws (qty.12)           |
| <b>B</b> |  | M6 Screws (qty.8)            |
| <b>C</b> |  | Security Torx Wrench (qty.1) |

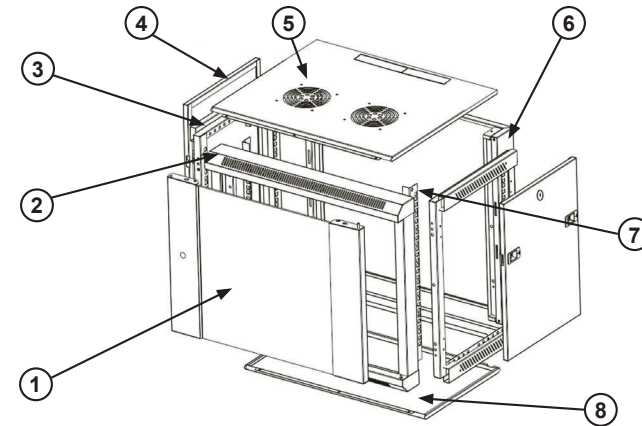
### Equipment Installation

- |          |  |                                       |
|----------|--|---------------------------------------|
| <b>D</b> |  | 10-32 Screws with washers (qty.10/20) |
|----------|--|---------------------------------------|

### Others

- |          |  |                            |
|----------|--|----------------------------|
| <b>E</b> |  | Keys (qty.3)               |
| <b>F</b> |  | Grounding Wire Kit (qty.1) |

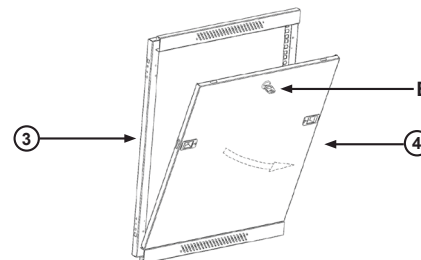
### Tool Required (not included)



### ASSEMBLY

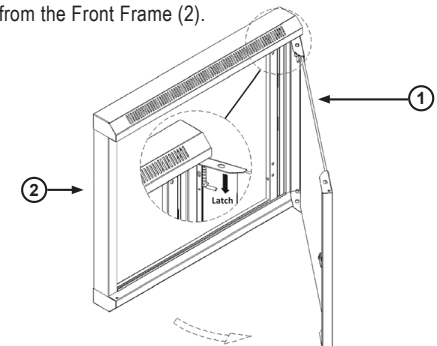
#### 1. Separation of Side Frames and Side Panels

Take out the Side Frames (3) and Side Panels (4), insert the key (E) to open the Side Panel. Then remove the Side Panels from the Side Frames, keeping them separated.



#### 2. Separation of Front Door and Front Frame

Open the Front Door (1) by key, pull the door latch hinge pin downward, and remove the Front Door from the Front Frame (2).

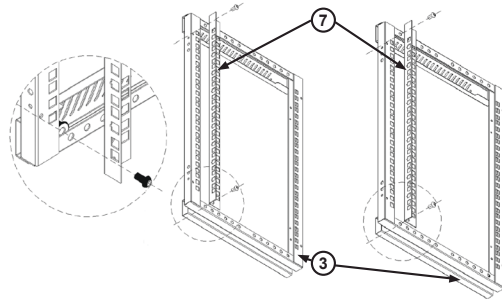


# VERICOM®

### 3. Install Two Rails

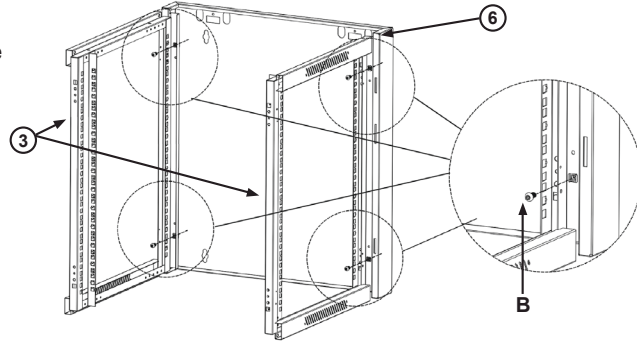
Secure the 19" Mounting Rails (7) to the mounting holes at the top and bottom of the Side Frames (3) using 4 pcs of M5 Screws (A).

*Note: The Side Frames have multiple mounting points for different rail mounting depth.*



### 4. Install The Side Frames

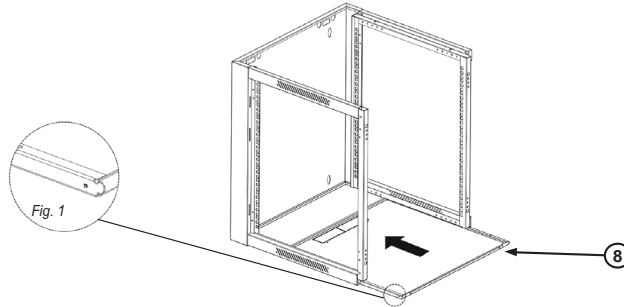
You will see two channels on the Back Frame (6) with 4 pcs of installed Cage Nuts. Insert the Side Frames (3) into the channels of the Back Frame and secure using 4 pcs of M6 Screws (B) with Security Torx Wrench (C), aligning with 4 pcs of Cage Nuts.



### 5. Install the Bottom Panel

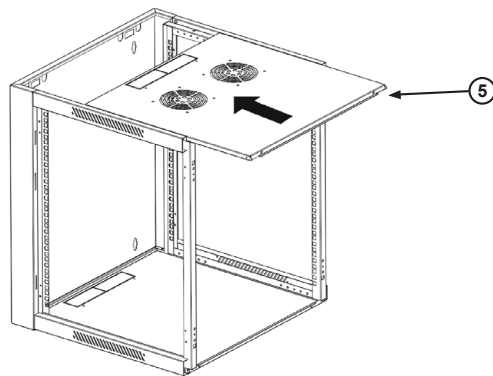
Slide the Bottom Panel (8) into the channel on the Side Frames, gently pushing on Bottom Panel from underneath to get it over the lip of the Back Frame.

*Note: When installing the Bottom Panel, the protruding point (refer to fig. 1) will be on the front side.*



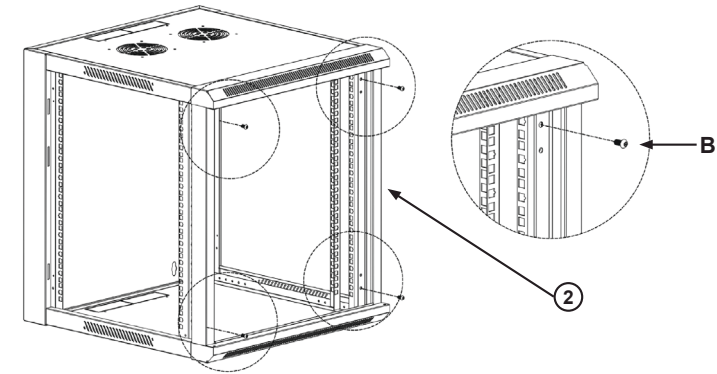
### 6. Install the Top Panel

Lift the front of Top Panel (5) to secure it under the lip of the Back Frame.



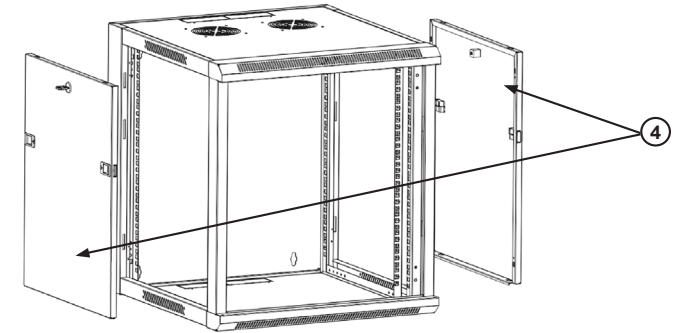
### 7. Install The Front Frame

Install the Front Frame (2) using 4 pcs of M6 Screws (B) with Security Torx Wrench (C).



### 8. Install The Side Panels

Snap the Side Panels (4) into place by using the quick release button on either side.



### 9. Install the Front Door

There are two spring-loaded hinge pins on Front Door (1). Insert the bottom pin into door hinge hole first, and then pull down the top pin and slide it into place over second door hinge hole and release.

