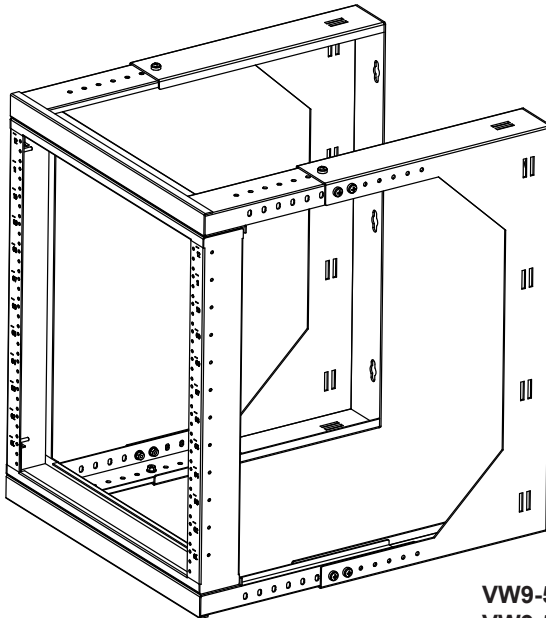




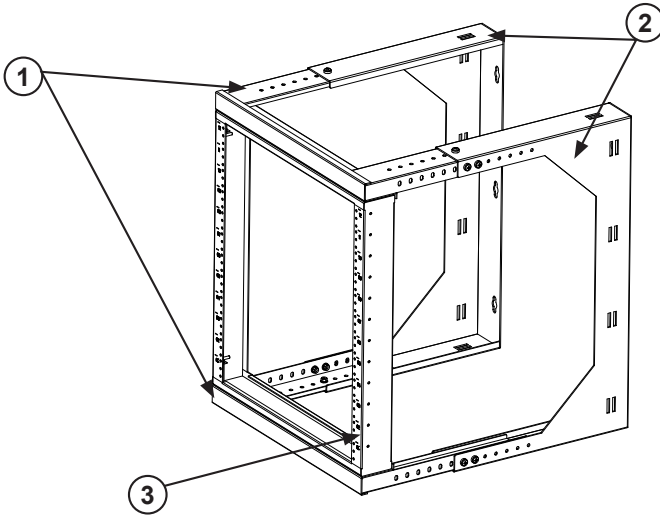
# ASSEMBLY INSTRUCTIONS

## VW9 Series Swing Gate Wall Mount Rack



VW9-5121  
VW9-5181

# INCLUDED PARTS

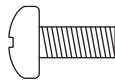


- ① Top and Bottom Frame (2 pcs)
- ② Side Frame (2 pcs)
- ③ Front Frame (1 pc)

## Supplied Hardware



**12-24 Rack Screw**  
(10 pcs)

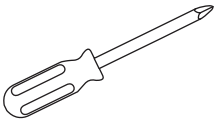


**M6 x 12mm Screw**  
(12 pcs)

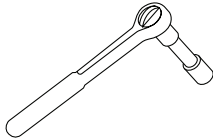


**M6 Flange Nut**  
(12 pcs)

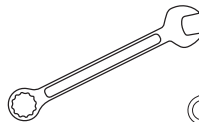
## Required for Installation (Not Included)



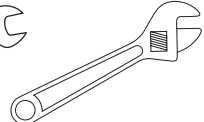
**Phillips Head Screwdriver**  
or **Power Drill w/Phillips Bit**



**Socket Wrench w/**  
**10mm Socket**



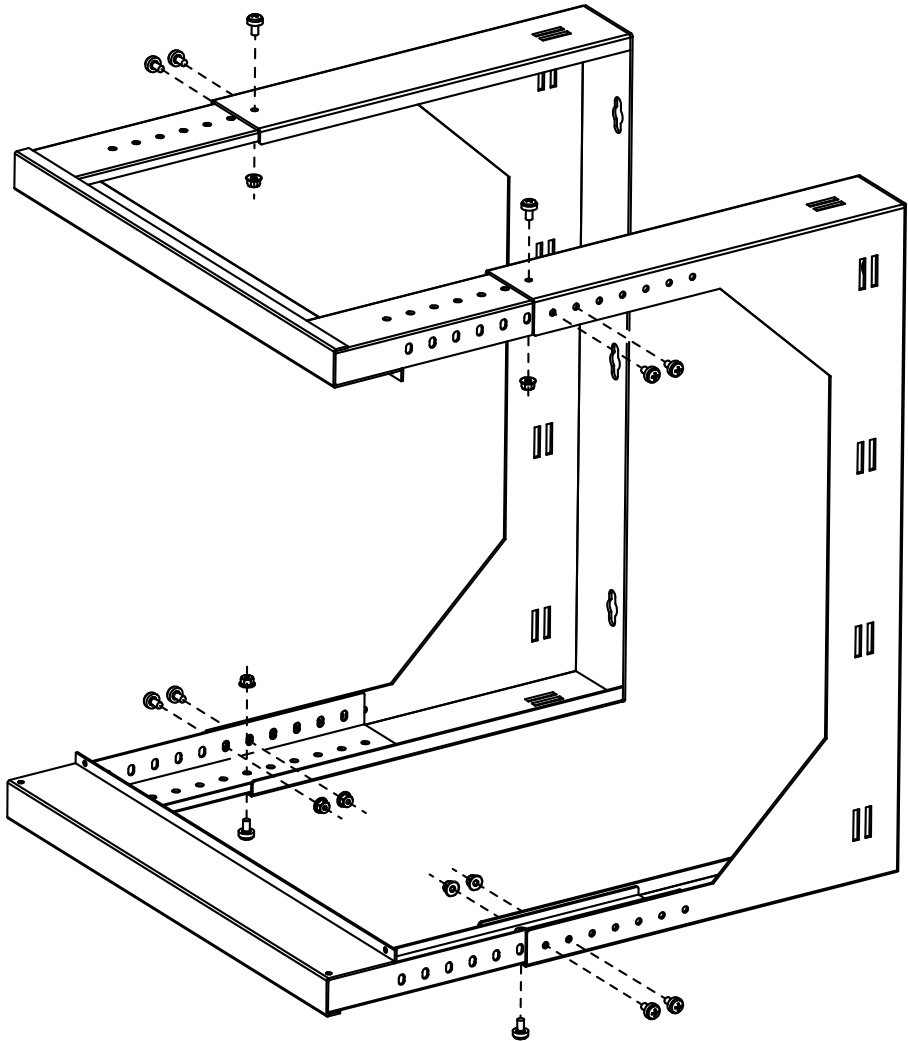
**10mm Box**  
**Wrench**



**Crescent**  
**Wrench**

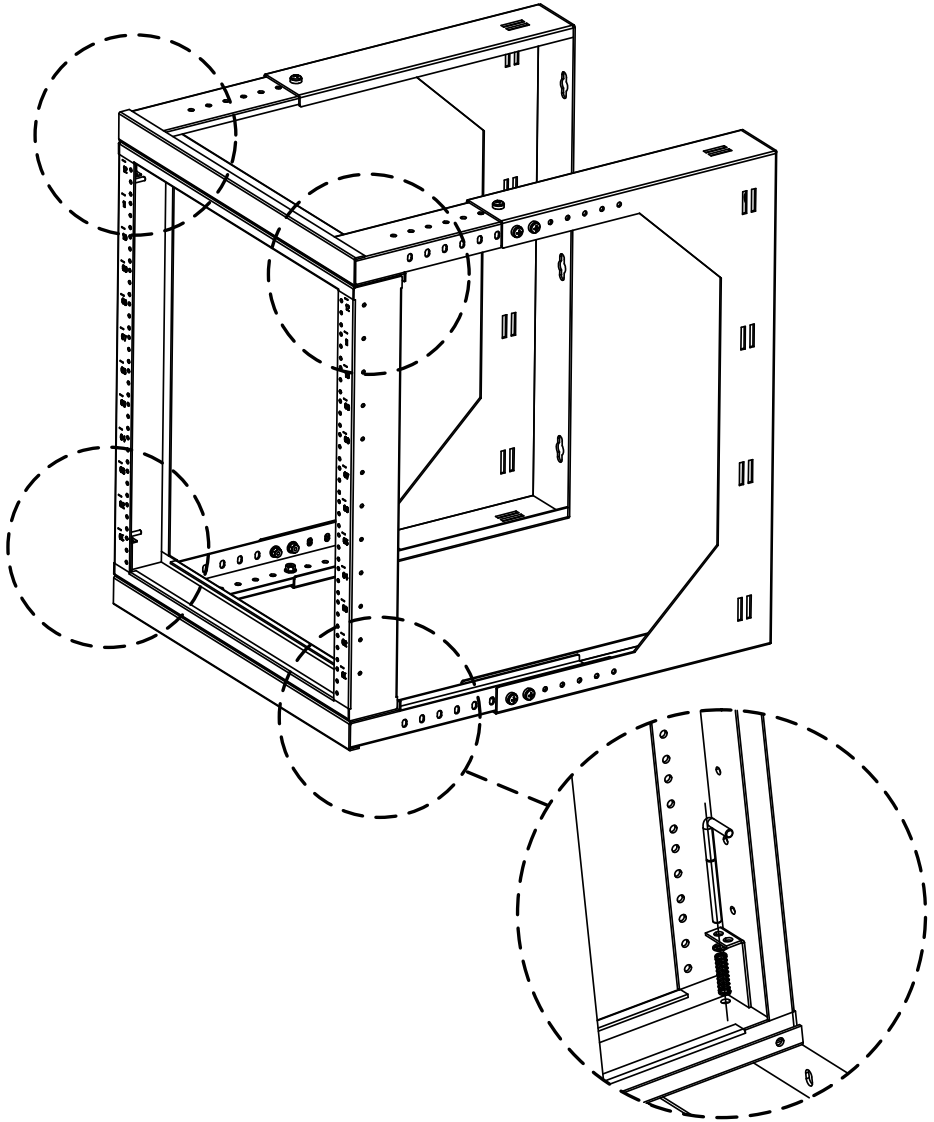
# ASSEMBLY

1. Connect the side frames to the top and bottom frames using 12 sets of M6 screws and flange nuts as shown. Adjust the depth as required before assembly.



# ASSEMBLY

2. Connect the front frame by inserting the spring hinge pins into the corresponding holes in the top and bottom frames.



# VERICOM®