



Wall Mount LGX Fiber Enclosures

FOWME-1D2P



FOWME-1D4P



**NOTE: Item # FOWME-1D4P Pictured with fiber adapter panels for demonstration purposes only. Fiber adapter panels sold separately.*

TECHNICAL SHEETS ARE SUBJECT TO CHANGE WITHOUT NOTICE.

Applications

Wall Mount LGX fiber enclosures shall house, organize, manage and protect fiber optic cables, terminations, splices, connectors and patch cords. LGX fiber enclosures are designed to be compatible with all standard LGX fiber adapters and cassettes from all standards-based manufacturers. Fiber enclosures are typically placed in the entrance, telecommunications room, or the main equipment room. The enclosures can manage up to 48 fibers in the 2 LGX position enclosure or 96 fibers in the 4 LGX position enclosure.

Description / Specifications

Vericom's Wall Mount LGX fiber enclosures are available in two and four LGX positions. The enclosure provides splice trays to protect fusion and mechanical splices while controlling fiber bend radius to industry standards. Wall Mount enclosures can be mounted in entrance facilities to transition incoming fiber services or in telco rooms if needed. Full access to fiber connections is provided with a single door with a simple, spring loaded slide latch.

Features & Benefits

- Interoperable with all Standard LGX Fiber Adapter Panels
- One part number with splice trays provided to support maximum density
- Single door to access splice tray and connectors
- Cable management to ensure proper bend radius for system reliability
- Simple, easy to open door latch and to securely fasten door closed

Standards Compliance

- ANSI/TIA-568-C.3
- TIA-604-10 (FOCIS-10)
- TIA-604-3 (FOCIS-3)
- ISO/IEC 11801
- IEC 61754
- RoHS Compliant

REV.20240514.3



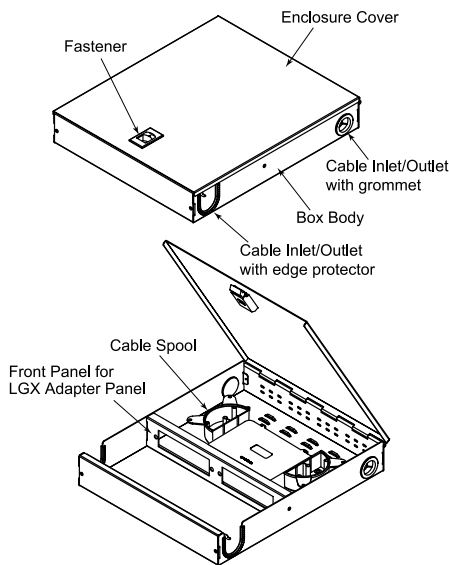
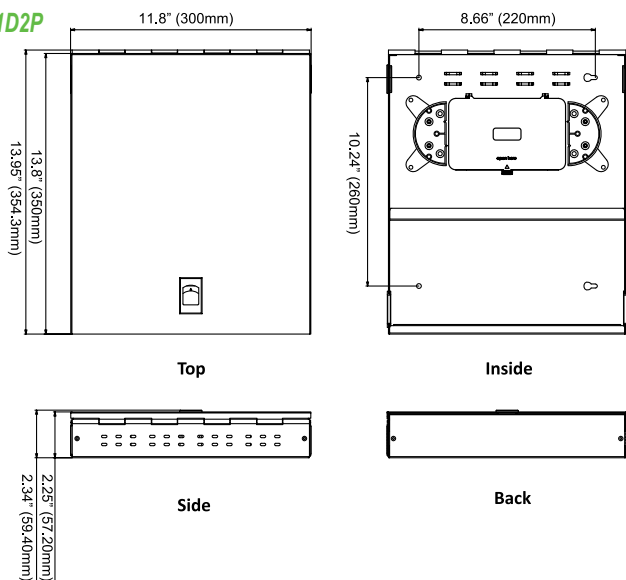
Wall Mount LGX Fiber Enclosures

Ordering Information

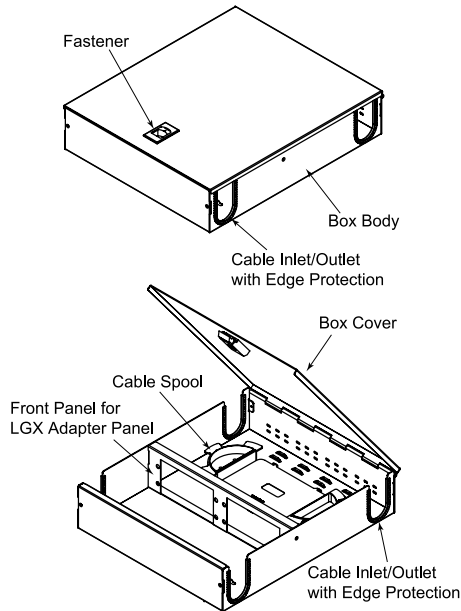
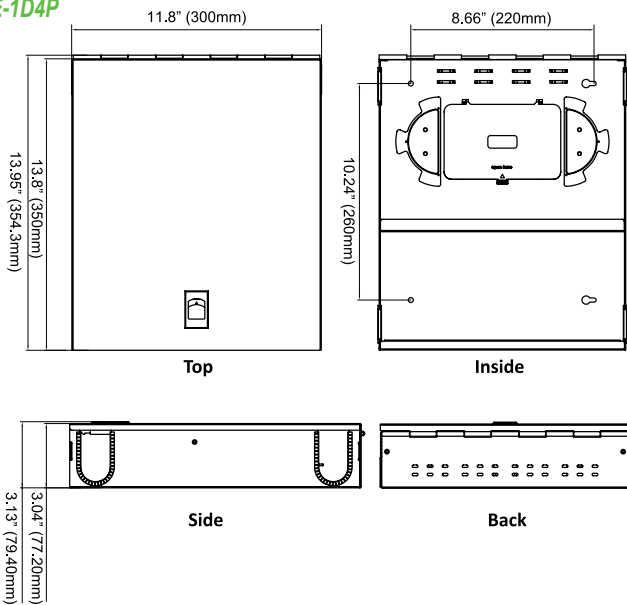
Item Number	Description
FOWME-1D2P	Wall mount Enclosure for 2 LGX Panels, one door, empty
FOWME-1D4P	Wall mount Enclosure for 4 LGX Panels, one door, empty

Technical Illustrations

FOWME-1D2P



FOWME-1D4P



TECHNICAL SHEETS ARE SUBJECT TO CHANGE WITHOUT NOTICE.

REV.20240514.3