



Applications

These versatile standard single gang F-81 & RJ14 combination faceplates combine the connectivity for most satellite, cable, and CCTV applications along with telephone applications in a single gang size and are ideal for situations requiring a flush mount.

Ordering Information

TYPE	LIGHT ALMOND	IVORY	WHITE
F-81 & RJ-14 Combo, Single Gang	XFPOP-01451	XFPOP-00480	XFPOP-00469

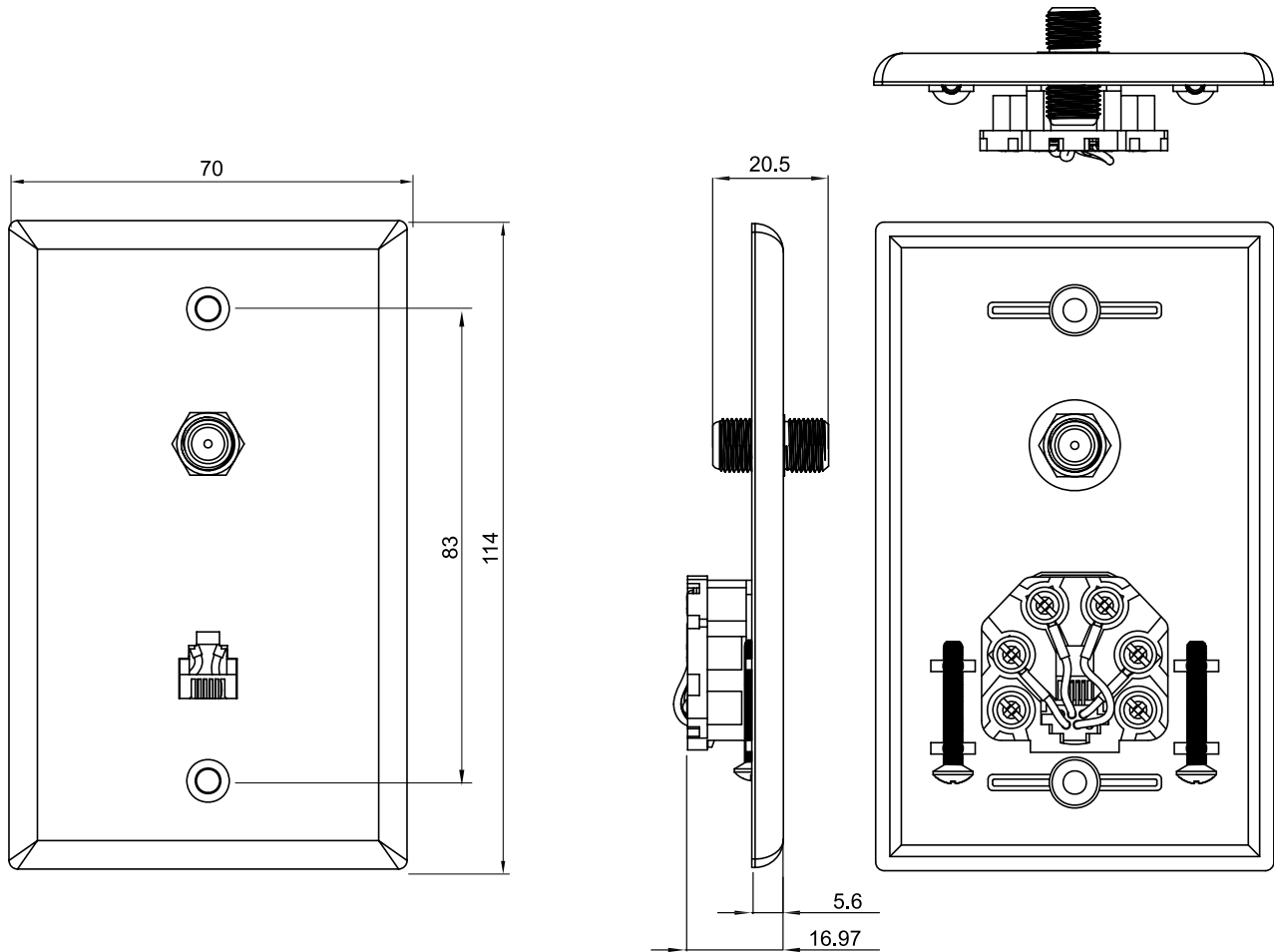
Description / Specifications

Vericom standard F-81 & RJ14 combination faceplates are molded out of proprietary impact resistant plastic and are designed to accept a coax connector and either RJ-11 or RJ-14 connectors. These faceplates provide quick connection and support for an F-81 coaxial cable connection and a CAT3 connection for up to two phone lines. These faceplates come complete with mounting screws.

Features & Benefits

- Compatible with F-81 connectors and either a standard RJ-11 or an RJ-14 connector
- Flush mounting for an aesthetic look
- Supports an F-81 connection and up to two phone lines
- Includes screws for mounting
- Available in White, Ivory or Light Almond

Technical Drawing



Physical Specifications

# and Type of Ports	1 F-81 Port	1 RJ-14 Port
Dimensions	114*70*24.42 mm	
Material	High Impact, Fire retardant ABS plastic rated UL94V-0	
Mounting	Screws (Included)	
Color	White, Ivory, or Light Almond (see ordering information)	